

Compliance

FAA: AC 150/5345-46

ICAO: Annex 14 Para. 5.3.18, for use as taxiway edge light

EASA: CS ADR-DSN.Book 1

IEC: 61827

NATO: STANAG 3316

Elevated LED
Taxiway Edge Light

EOL-TE-LED

Airsafe

Uses

- Designed to delineate the taxiway edges on airports.

Features

- High strength Aluminum-alloy casting
- Low-profile and small in size to withstand jet blast.
- Stainless steel hardware guarantees a good resistance to corrosion
- Fitting body in blue colour, to enhance visibility during daytime
- Reduced maintenance due to the life of the LED (100.000 h at 6.6A)
- Efficient energy-saving with low power consumption resulting in a important economic benefit for the customer
- Colours: Blue
- Nominal Current: 6.6A
- Compatible with existing AGL circuits
- Compact structure design
- Designed for tool free maintenance
- Durable waterproof design.
- All fittings are tested for leakage and photometry before delivery.

Finish

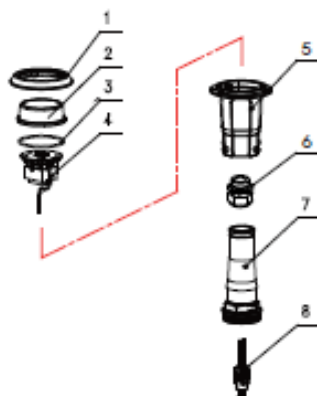
- Phosphating and baked polyester electrostatic powder coating.
- Colour: aviation yellow
- Stainless steel hardware.

Electrical Supply

6.6 A, through a 15 W isolating transformer.



Components



1. Upper cover
2. Prism
3. Sealing ring
4. Electrical component
5. Light body
6. Sealing joint
7. Frangible pole
8. Style 6 plug

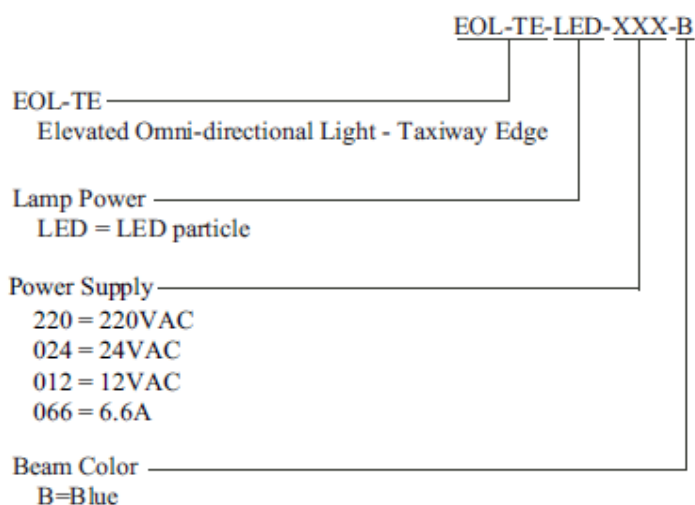


Elevated LED
Taxiway Edge Light

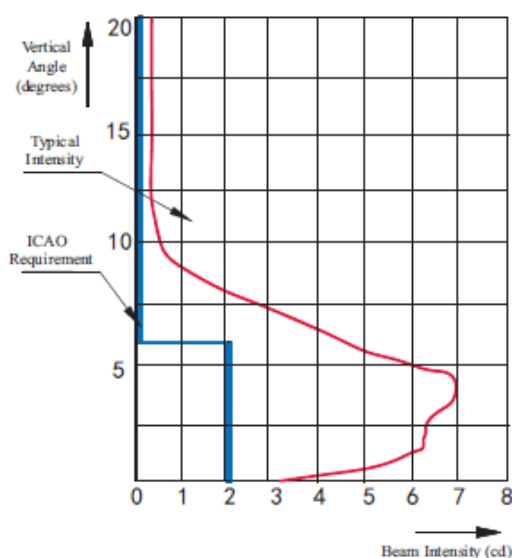
EOL-TE-LED

Airsafe

Ordering Information



Photometric Characteristics



Taxiway edge, ICAO Annex 14, Volumn 1 Chapter 5.3.18.8, Omni-directionary, Blue

Applications		Color	Vertical Angle of Main Light Beam	Intensity Required (cd)	Actual Intensity (cd)
Taxiway Edge	Chapter 5.3.18.8	Blue	0 to 6°	2	2.5 to 4.5
			6° to 75°	0.2	2.6 to 3.8