

Compliance

FAA: AC150/5345-46 and E982 for mechanical & environmental properties

ICAO: Annex 14 Para. 5.3,11 for use as runway end light in Category I, II and III conditions

EASA: CS ADR-DSN. Book 1

IEC: 61827

NATO: STANAG 3316

Elevated
High Intensity
Runway End Light

EUL-ED

Airsafe

Uses

- Runway end lighting Cat. I, II and III, red

Features

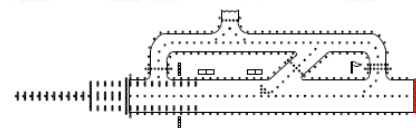
- High strength Aluminum-alloy casting
- Contained dimensions reducing risk of damages due to jet blast.
- Stainless steel fasteners guarantees a good sealing and resistance to corrosion.
- Reflector using the “cold light” principle, light goes forward, and heat goes backward, ensuring the front glass and the filter will not crack due to temperature differences
- Heat-radiator structure and shockproof design prolonging lamp’s life to a maximum.
- Direct mounting onto 60 mm O.D. tube, breakable coupling or frangible mast head.
- Easy aiming, even on top of a mast, by means of dedicated electronic setting devices
- Easy lamp changing without tools.
- Low consumption 100W Pre-focus Quartz Halogen PK30d lamp maintaining stable and reliable photometrics.
- Red front glass optimized for the required functions
- Designed for tool free maintenance
- Durable waterproof design.
- All fittings are tested for leakage and photometry before delivery.

Finish

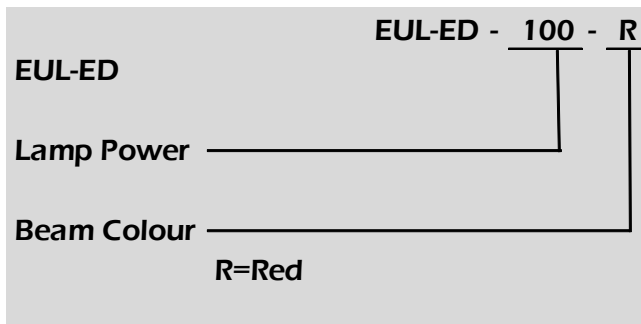
- Phosphating and baked polyester electrostatic powder coating.
- Colour: aviation yellow
- Stainless steel hardware.

Electrical Supply

6.6 A, through a 100 W isolating transformer.



Ordering Information



Elevated
High Intensity
Runway End Light

EUL-ED

Airsafe

INSTALLATION

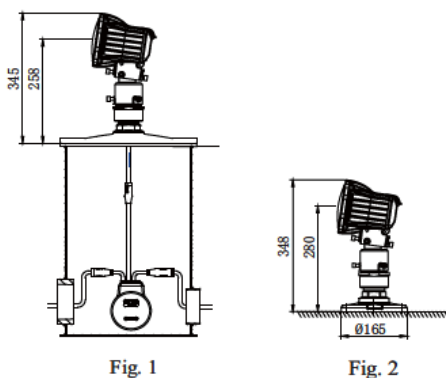


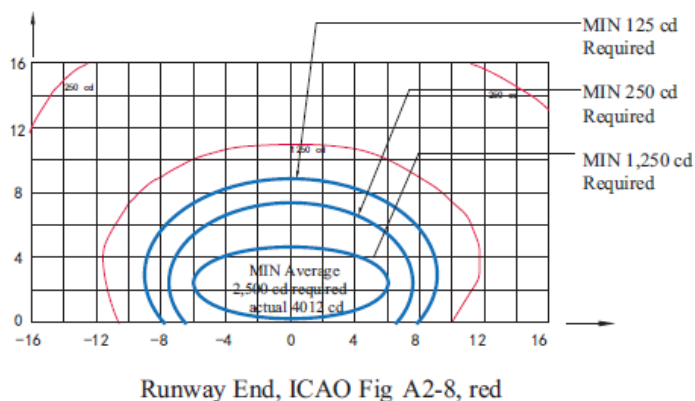
Fig 1. On 12" L-867 deep base.

Fig 2. On ground with base plate Ø165mm.

* Please find detailed information in installation document

Optional Purchase: Angle Calibrator (Order No. 54200)

Photometric Characteristics



Runway End, ICAO Fig A2-8, red

Applications		Main Beam		Color	Color Average Intensity Required (cd)	Average Intensity Actual (cd)
		Horizontal	Vertical			
Elevated Runway End	FAA L-850D ICAO Fig A2-8	± 6°	0.2 to 4.75°	Red	2500	4012