

Elevated
High Intensity
LED Threshold Light

EUL-TH-LED

Airsafe



Compliance

FAA: AC150/5345-46 and E982 for mechanical & environmental properties

ICAO: Annex 14 Para. 5.3,4 for use as Runway light in Category I, II and III conditions

EASA: CS ADR-DSN. Book 1

IEC: 61827

NATO: STANAG 3316

Uses

- LED Threshold lighting Cat. I, II and III, green

Features

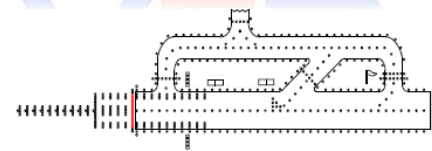
- High strength Aluminum-alloy casting
- Contained dimensions reducing risk of damages due to jet blast.
- Stainless steel fasteners guarantees a good sealing and resistance to corrosion.
- Direct mounting onto 60 mm O.D. tube, breakable coupling or frangible mast head.
- Easy aiming, even on top of a mast, by means of dedicated electronic setting devices
- Useful Lamp Life (LED) > 50.000h
- Colours: Green
- Nominal Current: 6.6A
- Fully dimmable as per EB67E
- Built-in surge protection
- Efficient control of the operating temperature of the LEDs increasing life expectancy and avoiding colour shift
- High performance optical design
- Compatible with existing AGL circuits
- Designed for tool free maintenance
- Durable waterproof design.
- All fittings are tested for leakage and photometry before delivery.

Finish

- Phosphating and baked polyester electrostatic powder coating.
- Colour: aviation yellow
- Stainless steel hardware.

Electrical Supply

6.6 A, through a 45 W isolating transformer.



Ordering Information

EUL-TH-LED-G

Light Type _____
 EUL-TH = Elevated Runway Threshold Light

Lamp Power _____
 LED: LED Illuminant

Beam Color _____
 G = Green

Elevated
 High Intensity
 Threshold Light

EUL-TH-LED

Airsafe

Installation

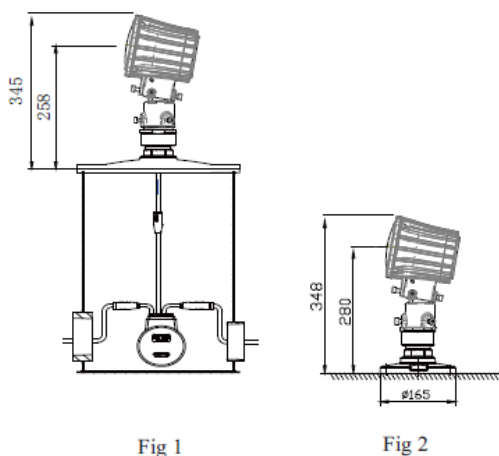
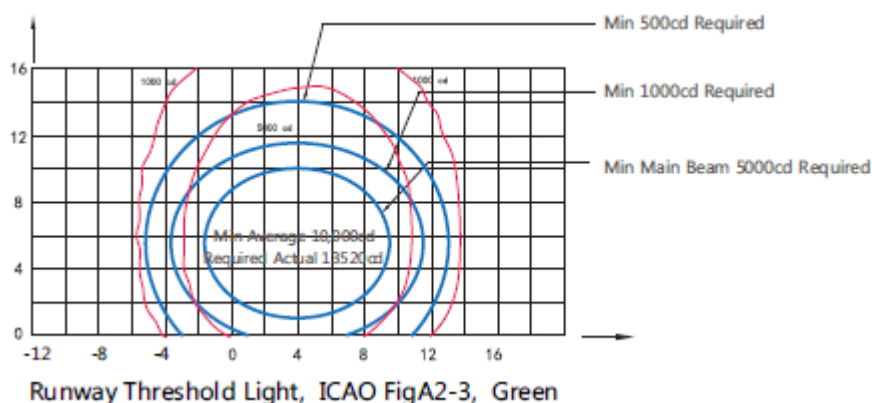


Fig 1. On 12" deep base
 Fig 2. On standard flange
 * Please find detailed information in the installation manual
 Option: Angle Calibrator (Order No. 954211-01)

Photometric Characteristics



Applications		Angle of Main Light Beam		Colour	Average Intensity	Average Intensity
		Horizontal	Vertical			
Runway Threshold Light	ICAO Fig A2-3	$\pm 5.5^\circ$ (Inclination 3.5°)	1 to 10°	Green	10000	13520