

Compliance

FAA: AC150/5345-46 and E982 for mechanical & environmental properties

ICAO: Annex 14 Para. 5.3,10 for use as threshold light in Category I, II and III conditions

EASA: CS ADR-DSN. Book 1

IEC: 61827

NATO: STANAG 3316

Elevated
High Intensity
Threshold Wing Bar
Light

EUL-THW
Airsafe

Uses

- Runway threshold wing bar lighting Cat. I, II and III, green

Features

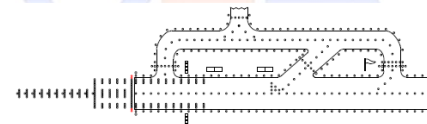
- High strength Aluminum-alloy casting
- Contained dimensions reducing risk of damages due to jet blast.
- Stainless steel fasteners guarantees a good sealing and resistance to corrosion.
- Reflector using the “cold light” principle, light goes forward, and heat goes backward, ensuring the front glass and the filter will not crack due to temperature differences
- Heat-radiator structure and shockproof design prolonging lamp’s life to a maximum.
- Direct mounting onto 60 mm O.D. tube, breakable coupling or frangible mast head.
- Easy aiming, even on top of a mast, by means of dedicated electronic setting devices
- Easy lamp changing without tools.
- Low consumption 150W Pre-focus Quartz Halogen PK30d lamp maintaining stable and reliable photometrics.
- Green front glass optimized for the required functions
- Designed for tool free maintenance
- Durable waterproof design.
- All fittings are tested for leakage and photometry before delivery.

Finish

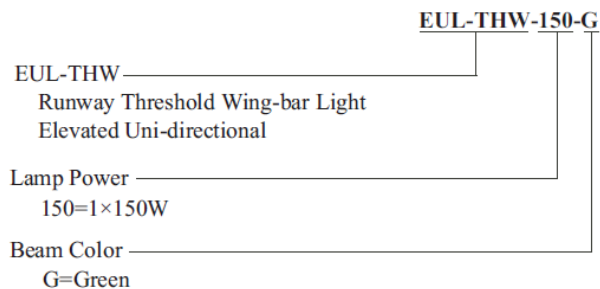
- Phosphating and baked polyester electrostatic powder coating.
- Colour: aviation yellow
- Stainless steel hardware.

Electrical Supply

6.6 A, through a 150 W isolating transformer.



Ordering Information



* Detail information should be provided if any special requirements.
Accessories should be ordered separately.

INSTALLATION

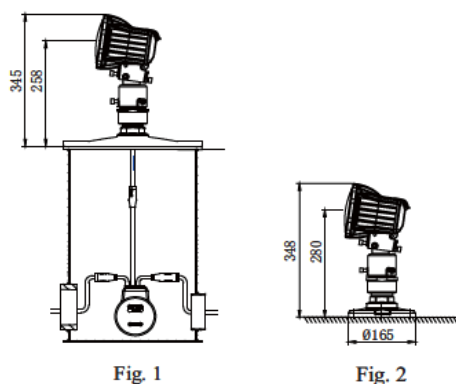


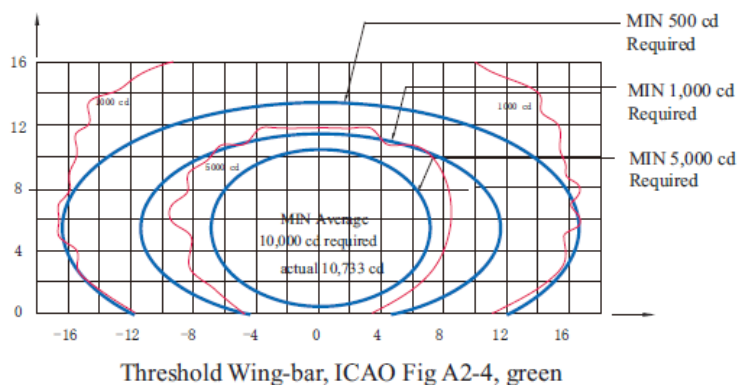
Fig 1. On 12" L-867 deep base.

Fig 2. On ground with base plate Ø165mm.

* Please find detailed information in installation document

Optional Purchase: Angle Calibrator (Order No. 54200)

Photometric Characteristics



Applications		Angle of Main Light Beam		Beam Color	Average Intensity	Average Intensity
		Horizontal	Vertical			
Wingbar	ICAO Fig. A2-4	±7° introversion 2°	0.5 to 10.5°	Green	10000	10733

Elevated
High Intensity
Threshold Wing Bar
Light

EUL-THW
Airsafe