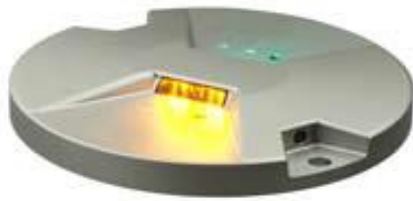


Inset
Runway Guard Light

IRGS-08-LED-E

Airsafe



Compliance

- ICAO Annex 14 ,
- FAA AC 150/5345-46,
- EB 67 D
- IEC61827
- EASA CS-ADR-DSN.M.710 & 715
- STANAG 3316
- CAAC GB-T 7256-2005
- AENA DIN/OSEYN/PPT/018-02/09

Uses

- The IRGS-08-LED-E is a Guard Light suitable for applications on runway system operating in Cat I to III conditions.

Features

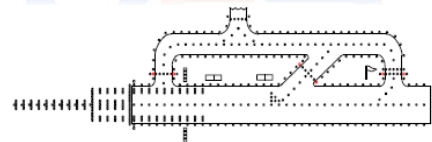
- **8"** outer diameter
- **6 mm** height above surface
- **Dust and Water** tight
- **Useful Lamp Life** (LED) > 50.000h
- **Nominal Current:** 6.6A (2.2A available upon request)
- **Power consumption** (at 6.6A): 15W per side
- **Power Factor** 0.95 at nominal current
- **Temperature:** - 55°C to + 55°C
- **Advanced Power Adaptor** electronics with Integrated 5 steps Active Fail Open System
- **Self Rearming** Fail Open System no additional intervention required after repair of a failure.
- **Fully dimmable** as per EB67D
- **Built-in surge protection**
- **Compatible** with existing AGL circuits
- **Efficient control of the operating temperature** of the LEDs increasing life expectancy and avoiding any colour shift.
- **Upper surface without sharp edges**, reducing the risk of damage to aircraft tires

Finish

- Outer Surface with wear & corrosion resistant treatment.
- High-precision machining ensuring overall precision and excellent quality.
- Stainless steel hardware.

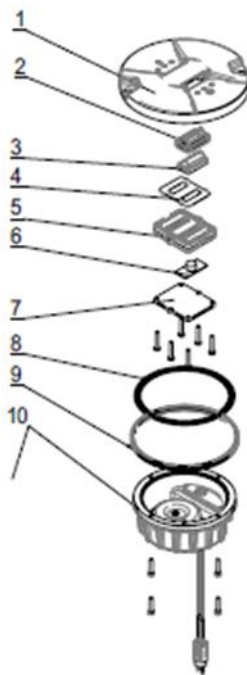
Electrical Supply

6.6 A, through a 150 W isolating transformer.



Components

1. Upper Cover
2. Prism Seal Cartridge
3. Prism
4. Prism Shim
5. Prism Pressure Plate
6. LED Illuminant
7. Cooling Panel
8. Sealing Washer
9. Side Sealing Strip
10. LED Inner Cap Module

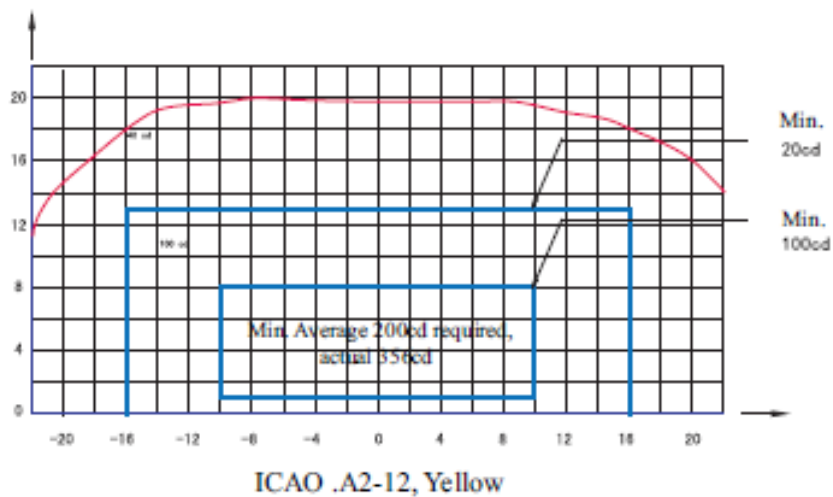


Inset
Runway Guard Light

IRGS-08-LED-L

Airsafe

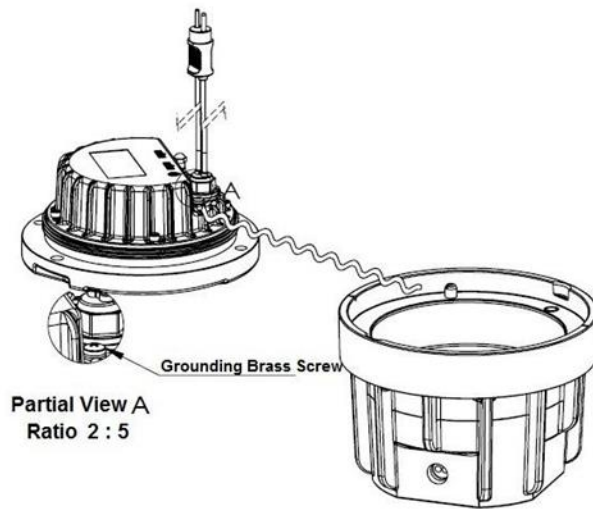
Photometric Characteristics



Application	Angle of Main Light Beam		Color	Required Average Intensity cd	Actual Average Intensity cd
	Horizontal	Vertical			
ICAO .A2-12	$\pm 10^\circ$	1 to 8°	Yellow	200	356

Grounding

The light is equipped with a grounding point as shown on the figure.



Adaptor Ring

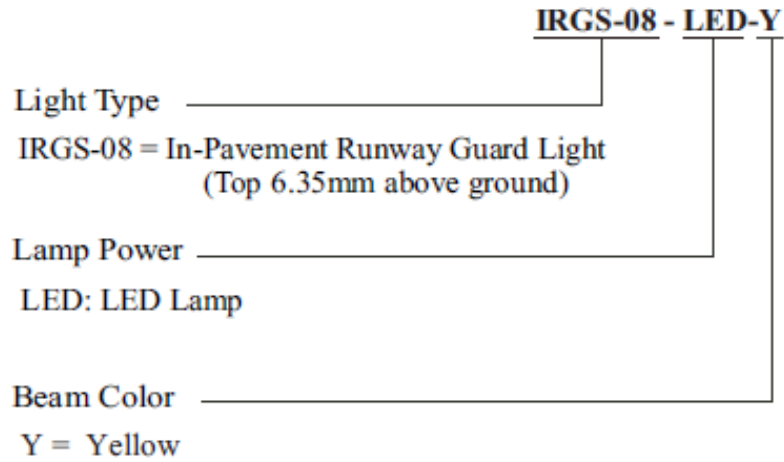
An adaptor ring in forged aluminium is available for mounting of the light on a 12" base

Lifting Handle

A lifting handle in aluminium has been designed for easy installation and removing of the light on its base



Ordering Information



* Detailed information should be provided if any special requirements. Accessories should be ordered separately.