

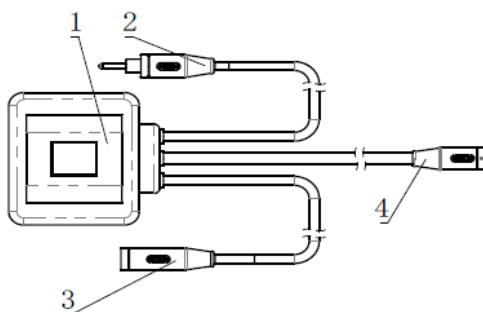


Description

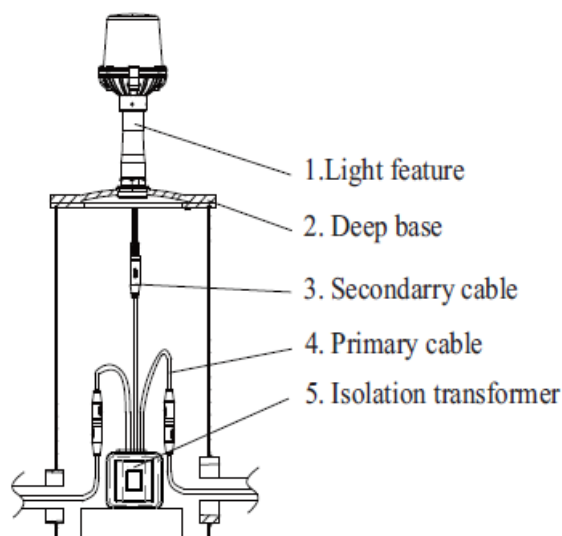
The ITF Isolating Transformer has been designed to be compliant according to ICAO Annex 14 , FAA AC 150/5345-46, STANAG 3316 and CAAC GB-T 7256-2005

Features

- Full range of specifications, FAA standards tested.
- Compact structure; light weight.
- Internal frame design ensures fully isolation between primary and secondary cable.
- Use of E&I high quality silicon steel sheet to ensure optimal performance of the fittings.
- Earth connection resistance lower than 4ohms.
- Strong anti-aging property, ensure the long term insulation and reliability.
- Endures 15KV voltage, insulation resistance higher than 7500mge, current loss lower than 2uA



1. Isolation Transformer
2. Primary cable style 2 plug
3. Primary cable style 9 outlet
4. Secondary cable style 7 outlet



Isolation
Transformer
ITF

Airsafe

Isolation Transformer ITF

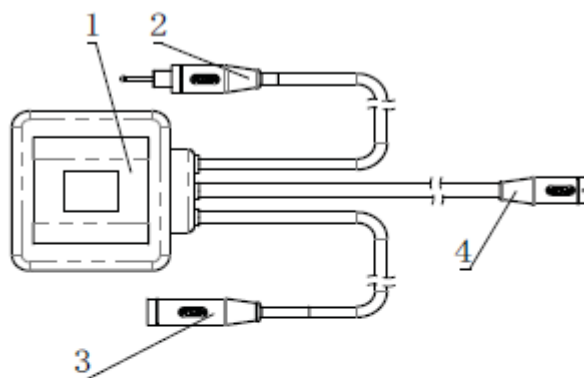


Technical Characteristics

- Input frequency: 47 - 63 Hz
- Output electric current: 2.8 - 6.6 A
- Brightness adjustment: 5 levels
- Electric current accuracy: $\leq \pm 0.05A$
- Electric current stability: $< 3\%$
- Maximum output power: 400W
- Power factor: > 0.9
- Operation noise: $< 38dB$
- Use temperature: -55 to $+65$ °C

Wattage	Primary Amps	Power Factor	Efficiency (Percent)	Voltage	Secondary Full Load	Load Ohms	Secondary Maximum Open Circuit Voltage - RMS
15	6.6	$\geq 95\%$	> 70	5000	Amperes	0.34	< 8
25	6.6	$\geq 95\%$	> 70	5000	6.53-6.67	0.57	< 8
30	6.6	$\geq 95\%$	> 80	5000	6.53-6.67	1.15	< 25
45	6.6	$\geq 95\%$	> 80	5000	6.53-6.67	1.15	< 25
65	6.6	$\geq 95\%$	> 80	5000	6.53-6.67	1.6	< 30
100	6.6	$\geq 95\%$	> 85	5000	6.53-6.67	2.44	< 70
150	6.6	$\geq 95\%$	> 85	5000	6.53-6.67	3.58	< 70
200	6.6	$\geq 95\%$	> 90	5000	6.53-6.67	4.82	< 100
300	6.6	$\geq 95\%$	> 90	5000	6.53-6.67	8.25	< 135

Construction



1. Isolation Transformer
2. Primary cable style 2 plug
3. Primary cable style 9 outlet
4. Secondary cable style 7 outlet