

EUL-AP-LED

Airsafe

Elevated Approach Fitting

DESCRIPTION

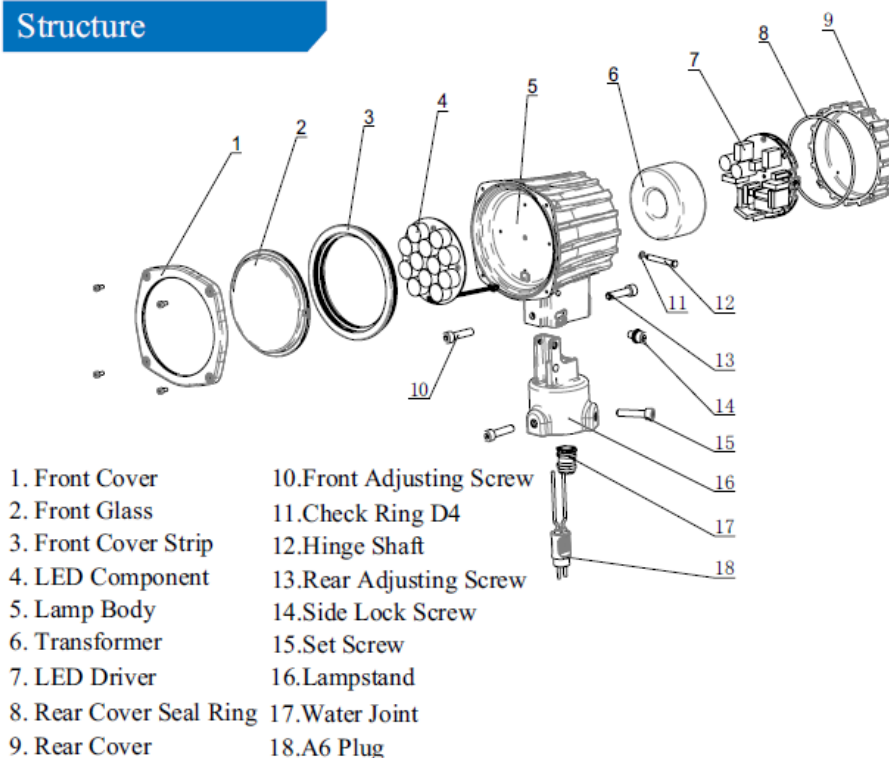
The EUL-AP-LED Elevated Approach fitting has been designed to be used for all applications in approach, cross bar and side row according to ICAO Annex 14, FAA AC 150/5345-46, STANAG 3316, IEC 61827 and in compliance with AENA DIN/OSEYN/PPT/018-02/09



CHARACTERISTICS

- High strength Aluminum-alloy casting.
- Stainless steel fasteners guarantees a good sealing and resistance to corrosion
- Special design of the reflector using the cold light principle protecting the front glass from cracking due to high temperature
- Durable waterproof design.
- Different colours of LEDs available to provide different applications for the elevated fittings.
- Heat-radiator structure and shockproof design prolonging the fitting life to a maximum.
- All fittings are tested for leakage and photometry before delivery.

Structure

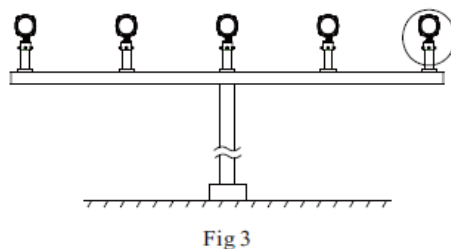
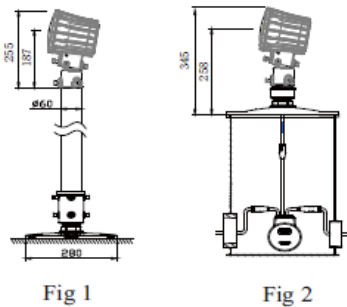


TECHNICAL CHARACTERISTICS

- Current: 2.8 to 6.6A
- Light source: LED
- Weight: 3.4kg
- In accordance with ISO standards
- In accordance with ICAO Annex14
- ICAO Airport Design Manual

INSTALLATION

- Installed on an approach pole (Figure 1)
- Installed on an approach deep base (Figure 2)
- Installed on an approach mast (Figure 3)



- Fig 1. On approach pole.
 Fig 2. On approach deep base.
 Fig 3. On approach mast.

* Please find detailed information in the installation manual
 Option: Angle Calibrator (Order No. 954211-01)