



## Compliance

**ICAO:** Annex 14, Vol. I, Para. 5.3.5.23 to 5.3.5.45

**FAA:** FAA: L-880/1 AC 150/5345-28

**EASA:** CS ADR-DSN. Book 1

## Uses

- PAPI and A-PAPI systems

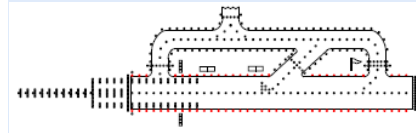
## Description

The PAPI-300 is an innovative Precision Approach Path Indicator designed according to ICAO Annex 14 and FAA AC 150/5345-28

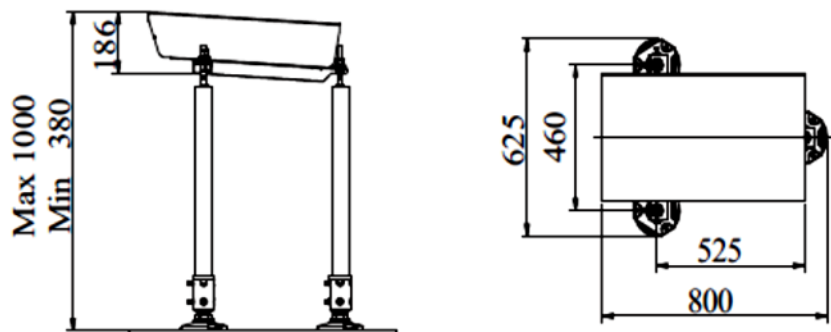
The PAPI 300 unit has a very sharp split of red and white transition zone thanks to its unique optical design which provides the pilot with precise visual information. The PAPI 300 is easy to install and to adjust. It offers stable and reliable operation and stress-free routine maintenance.

## Features

- New design concept superseding traditional PAPI construction;
- High precision, stable and reliable structure, easy to operate and maintain;
- Each unit uses three 105W reflector halogen lamp, supplied by a 300W isolation transformer
- Sharp red-white split line, red-white transition zone <3 arc minute, in compliance with ICAO Annex 14;
- Built-in intelligent electrical control system; the PAPI system is de-energized if a PAPI light units has any malfunction.
- Unique optical design eliminating complicated adjusting devices for lamp and filter installation or replacement. No impact on light output in case of minor installation deviation;
- Internal electronic clinometer with resolution value of 0.01°;
- Four digits LED display alternately showing in real time the real angle of the unit and the original flight landing test angle;
- Modular design, easy to maintain;
- Enclosed optical system preventing foreign objects from entering into it during routine maintenance;
- PAPI's actual operation angle can be directly seen from outside for daily spot check without opening cover;
- Optional patented control and monitoring kit for remote monitoring of PAPI angles;
- Triple leg supporting structure for structural stability, easy angle adjustment;
- Contained dimensions resisting to 320km/h wind load



## Dimensions

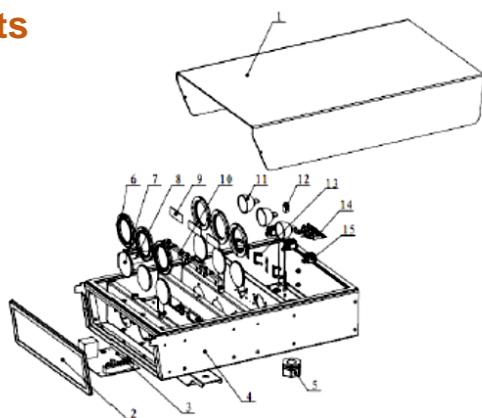


Precision Approach  
Path Indicator

PAPI 300

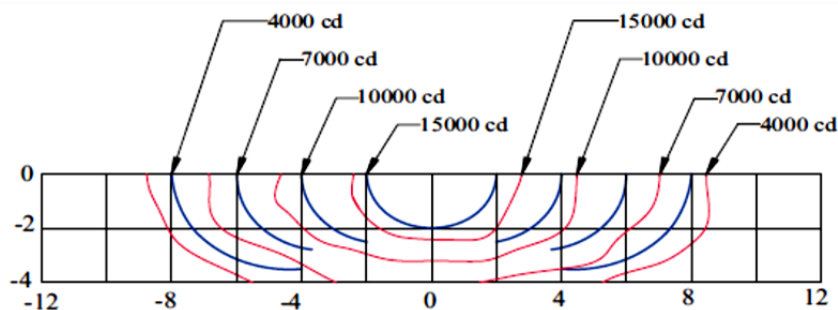
**Airsafe**

## Components



Ser. No.	Description	Part No.	Remark
1	Top cover assembly	61160	
2	Front glass with seal	61123	
3	Control panel	61199	
4	Cabinet	61130	
5	Flexible conduit connector	NBG-08G	
6	Aluminum press ring	61126	
7	Lens	61185	
8	Gasket	61147	
9	Filter	61175	
10	Filter retainer assembly	61170	
11	Pre-focused halogen lamp	64339A	Lifespan ≈ 1000 h.
12	Ground lug	61148	
13	Locking spring ( 90° )	42207	To fix the lamp
14	Wiring row		6-way wiring row
15	Terminal	91201	

## Photometric Characteristics



Horizontal Angle	Vertical Angle	Main Beam Light Intensity	Red (cd)	Clear (cd)
± 2	± 2	standard required	15000	2 to 6.5 times of the red intensity
		actual light intensity	> 18400	> 90000