



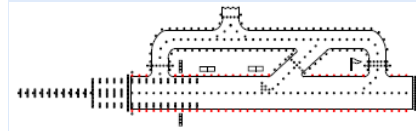
Compliance

FAA: AC 150/5345-46

ICAO: Annex 14 Para. 5.3.12 & 13

EASA: CS ADR-DSN Book 1

IEC: 61827



Runway Centreline Light RCLS-08-LED

Uses

- High intensity Runway Centreline lighting in cat. II and III.

Features

- 8" outer diameter
- Strong cold forged aluminium upper cover
- **6 mm protrusion** above surface
- Commonality of parts with the entire 12 inch low protrusion range for ease of maintenance and reduction of the spare parts requirement
- Dust and Watertight
- Upper surface without sharp edges
- Low Power consumption: 18W for a bidirectional fitting
- Useful Lamp Life (LED) > 50.000h
- Colours: White and Red
- Nominal Current: 6.6A
- Power converter with integrated 5 steps Active Fail Open System
- Fully dimmable as per EB67E
- Built-in surge protection
- Efficient control of the operating temperature of the LEDs increasing life expectancy and avoiding colour shift
- High performance optical design
- Compatible with existing AGL circuits
- All fittings are tested for leakage and photometry before delivery.

Finish

- Outer Surface with wear & corrosion resistant treatment.
- High-precision machining ensuring overall precision and excellent quality.
- Stainless steel hardware.

Electrical Supply

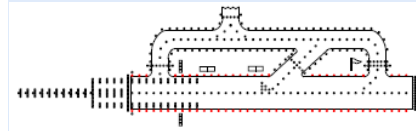
6.6 A, through adequate isolating transformer.

Airsafe

POWER CONVERTER

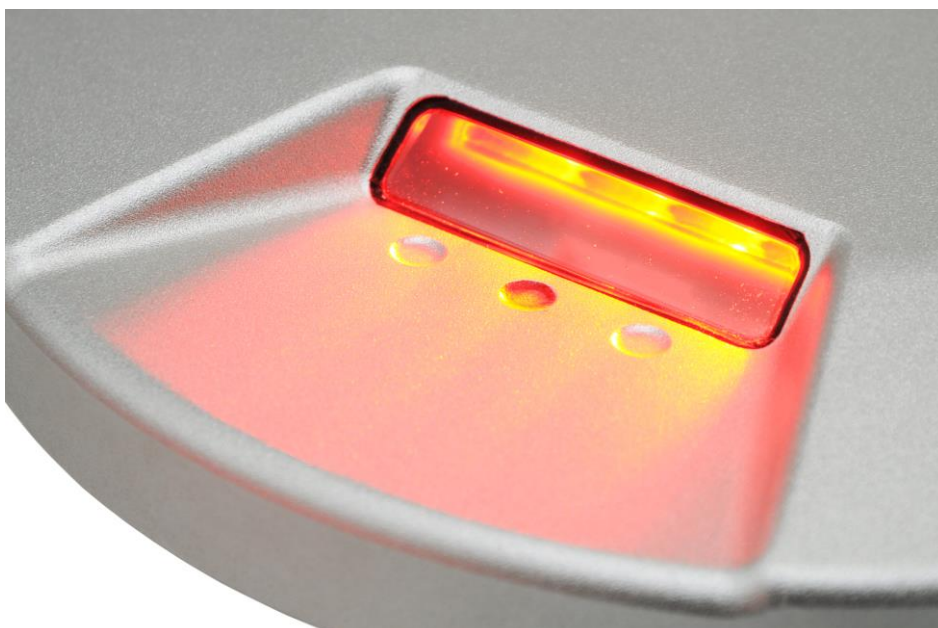
The RCLS-08-LED is equipped with a power converter of advanced technology and of proven design. The main characteristics of the power converter are:

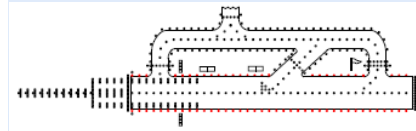
- Galvanic separation between the input power supply circuit 6.6 A and the output PWM circuit powering the LED array.
- Light emission proportional to the input current as requested by FAA EB-67D.
- The aperture of the secondary circuit as requested by FAA EB6-7D is activated within approximately 1 second (programmable from 800 to 1600 ms) after the fault so that the central control system can take the necessary action within the 2 seconds response time required by ICAO.
- As a standard feature, the RCLS-08-LED is equipped with a monitoring system compatible with the Lamp Fault Detection of Constant Current Regulators or with Individual Light Control and Monitoring Systems (ILCMS).
- In case of failure of one LED in the array all the LEDs are switched off to prevent a reduced light emission. In this case the fail-open system will be activated.
- The active fail-open system operates on the five levels of brightness
- Protection against voltage surges.
- The Fail Open Device monitors constantly the status of the LED engine and of the electronic converter allowing the flow of the current to the LED when both elements are working properly.



Runway Centreline Light RCLS-08-LED

Airsafe





MOUNTING SYSTEM

8 Inch IEC Shallow Base

- The shallow bases are made of forged high quality aluminium alloy.
- The combination of qualities of forging aluminium makes it the ideal solution for this type of application.
- They are suitable for mounting of 8" diameter IEC fittings.
- High precision machining ensures overall quality and precision of the shallow base
- Threaded holes with stainless steel sleeve for better mechanical strength
- Available with cable entries on the sides or from the bottom
- Overall dimensions:
220 mm diameter, 150 mm depth



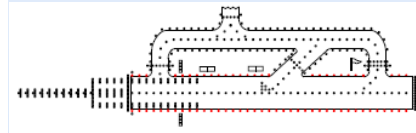
Runway Centreline
Light
RCLS-08-LED

Airsafe



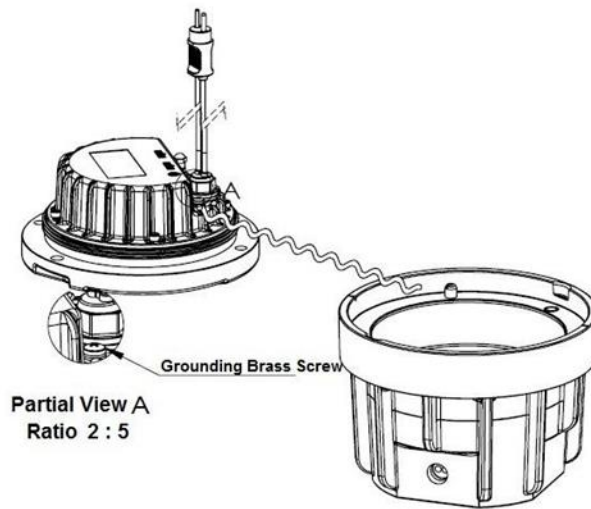
12-inch Deep base

- For installation of 12-inch inset fixtures together with isolation transformer
- Suitable for 8-inch inset fixtures with 12"/8" adaptor ring together with isolation transformer
- Deep base use constant intensity structure design and advanced aluminium alloy casting process to ensure high strength and good mechanics performance.
- High wear-resisting and anti-corrosion chemical processing of the surface of the base for long durability.
- High precision machining ensures overall quality and precision of the shallow base



Grounding

The light is equipped with a grounding point as shown on the figure.



Runway Centreline
Light
RCLS-08-LED

Airsafe



Adaptor Ring

An adaptor ring in forged aluminium is available for mounting of the light on a 12" base

Lifting Handle

A lifting handle in aluminium has been designed for easy installation and removing of the light on its base

