

## Compliance

**FAA:** AC 150/5345-46

**ICAO:** Annex 14 Para. 5.3.4

**EASA:** CS ADR-DSN.M.675

**IEC:** 61827

Inset  
High Intensity  
Runway Edge Light

REL-12

**Airsafe**

## Uses

- High intensity Runway Edge lighting in cat. I, II and III.

## Features

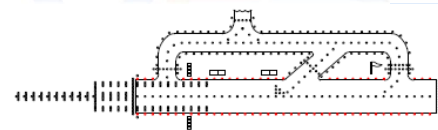
- 12" outer diameter
- Strong cold forged aluminium upper cover
- 12 mm protrusion above surface
- Dust and Watertight
- Upper surface without sharp edges
- High-precision machining ensuring overall precision and excellent quality.
- Unique multi-layer waterproof design.
- Reflector lamp and pressure/heat-resistant prism ensuring stable optical performance.
- Heat-radiator structure and shockproof design prolonging lamp's life to a maximum.
- Two cold mirror reflector lamps 105W
- Colours: Clear/Yellow/Red
- Nominal Current: 6.6A
- Precise lamp location ensuring convenient installation and disassembly without optical re-adjustment.
- All fittings are tested for leakage and photometry before delivery.

## Finish

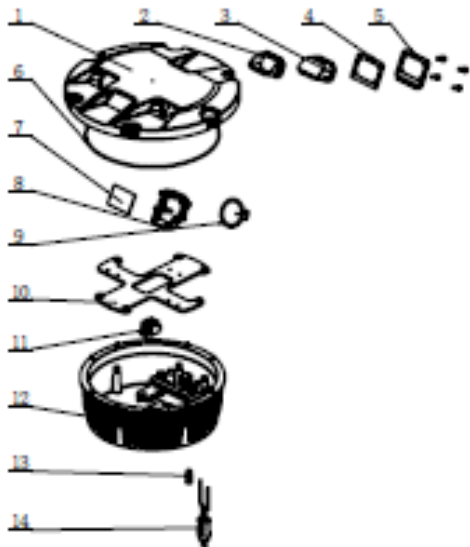
- Outer Surface with wear & corrosion resistant treatment.
- High-precision machining ensuring overall precision and excellent quality.
- Stainless steel hardware.

## Electrical Supply

6.6 A, through adequate isolating transformer.



## Components



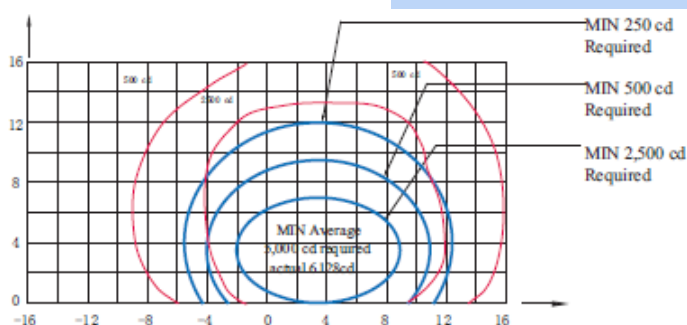
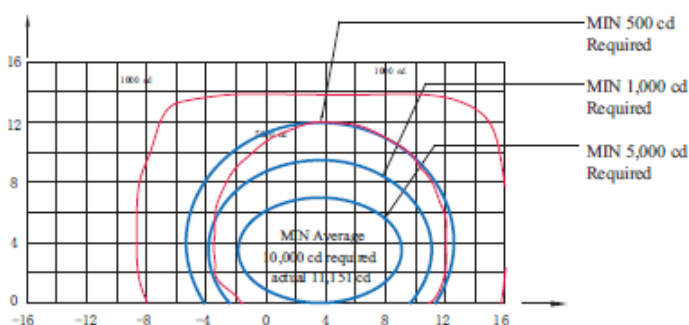
1. Upper cover
2. Upper sealing ring
3. Prism
4. Prism gasket
5. Prism retainer
6. Upper cover sealing ring
7. Filter
8. Lamp holder
9. Lamp
10. Mounting plate
11. Terminal block
12. Inner cover
13. Valve core
14. Style 6 plug

Inset  
High Intensity  
Runway Edge Light

REL-12

**Airsafe**

## Photometric Characteristics



Applications		Angle of Main Light Beam		Color	Average Intensity Required (cd)	Average Intensity Actual (cd)
		Horizontal	Vertical			
Runway Edge	FAA L-862	$\pm 5.5^\circ$ Inner inclination angle for $3.5^\circ$	0 to $7^\circ$	Clear	10000	11151
				Yellow	5000	6128
				Red	2000	2354
	ICAO Fig A2-9	$\pm 5.5^\circ$ Inner inclination angle for $3.5^\circ$	0 to $7^\circ$	Clear	10000	11151
				Yellow	4000	6128
				Red	1500	2354
	ICAO Fig A2-10	$\pm 6.5^\circ$ Inner inclination angle for $4.5^\circ$	0 to $7^\circ$	Clear	10000	10500
				Yellow	4000	5330
				Red	1500	2314