

Compliance

- ICAO Annex 14 ,
- FAA AC 150/5345-46,
- EB 67 D
- IEC61827
- EASA CS-ADR-DSN.M.710 & 715
- STANAG 3316
- CAAC GB-T 7256-2005
- AENA DIN/OSEYN/PPT/018-02/09



Inset Taxiway Stop Bar Light

SBLMS-08-LED-E

Airsafe

Uses

- The SBLMS-08-LED-E is a Stop Bar fitting suitable for applications on Taxiway system operating in Cat I to III conditions.

Features

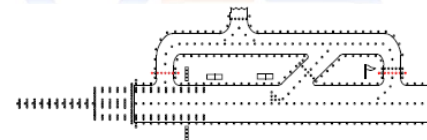
- **8"** outer diameter
- **6 mm** height above surface
- **Dust and Water** tight
- **Useful Lamp Life** (LED) > 50.000h
- **Nominal Current:** 6.6A (2.2A available upon request)
- **Power consumption** (at 6.6A): 15W per side
- **Power Factor** 0.95 at nominal current
- **Temperature:** - 55°C to + 55°C
- **Advanced Power Adaptor** electronics with Integrated 5 steps Active Fail Open System
- **Self Rearming** Fail Open System no additional intervention required after repair of a failure.
- **Fully dimmable** as per EB67D
- **Built-in surge protection**
- **Compatible** with existing AGL circuits
- **Efficient control of the operating temperature** of the LEDs increasing life expectancy and avoiding any colour shift.
- **Upper surface without sharp edges**, reducing the risk of damage to aircraft tires

Finish

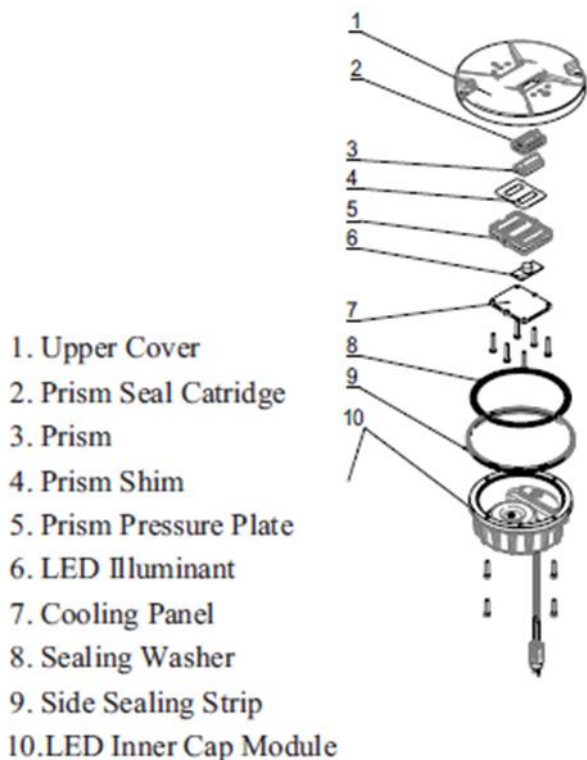
- Outer Surface with wear & corrosion resistant treatment.
- High-precision machining ensuring overall precision and excellent quality.
- Stainless steel hardware.

Electrical Supply

6.6 A, through a 150 W isolating transformer.



Components

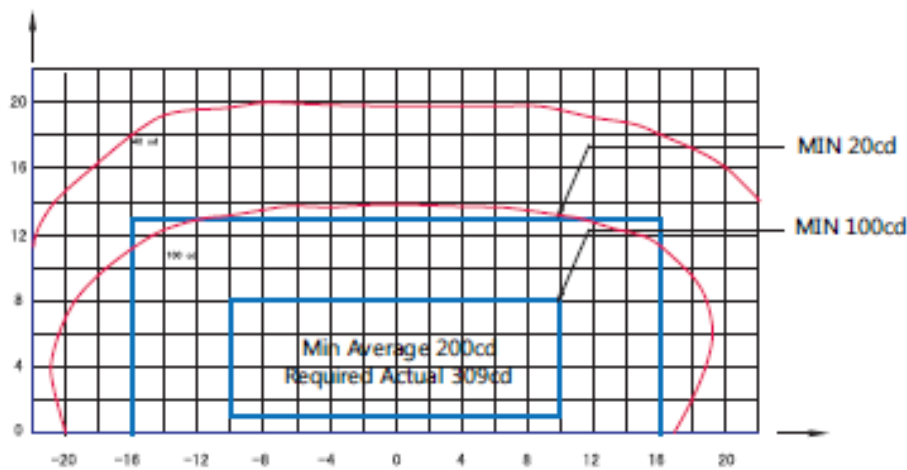


Inset
Taxiway Stop Bar
Light

SBLMS-08-LED-L

Airsafe

Photometric Characteristics

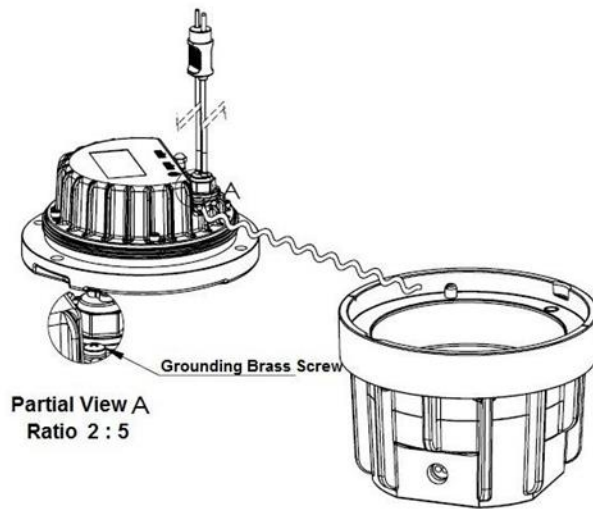


Taxiway stop-bar light , ICAO Fig A2-12 , Red

Applications	Angle of Main Light Beam		Colour	Average Intensity	Average Intensity
	Horizontal	Vertical			
ICAO Fig A2-12	$\pm 10^\circ$	1 to 8°	Red	200	309

Grounding

The light is equipped with a grounding point as shown on the figure.

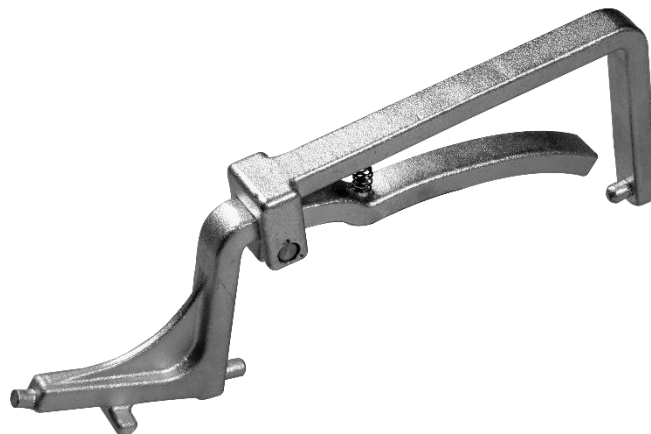


Adaptor Ring

An adaptor ring in forged aluminium is available for mounting of the light on a 12" base

Lifting Handle

A lifting handle in aluminium has been designed for easy installation and removing of the light on its base



Ordering Information

SBLMS-08 - LED-R

Light Type _____

SBLMS-08 = In-Pavement Taxiway Stop-bar Light
(Top 6.35mm above ground)

Lamp Power _____

LED: LED Lamp

Beam Color _____

R = Red

* Detailed information should be provided if any special requirements. Accessories should be ordered separately.