



Compliance

ICAO: Annex 14, Vol. I, para. 5.3
(current edition)

FAA: L-849 a-e AC 150/5345-51

EASA: CS ADR-DSN. Book 1

IEC: 61827

NATO: STANAG 3316

Uses

- Sequenced flashing lights (SFL)
- Runway threshold identification light systems (RTILS)

Description

The SFL system consists of three components:

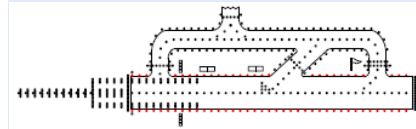
- System control cabinet,
- Unit control box
- Flash head.

Airsafe can supply either elevated or in-pavement flash heads according to the application and to the position of the fitting.

The system is simple to install and to put into operation, it guarantees stable and reliable operation and easy routine maintenance.

Features

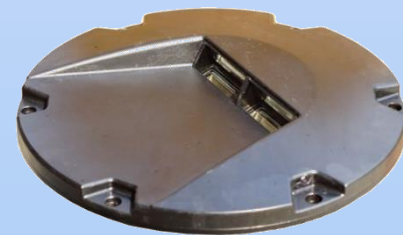
- Main control cabinet use twin-colour LCD to create a good HMI;
- Fault indication such as offline, missing flash will be displayed on LCD panel;
- Voltage range 160-260V, frequency 50 or 60 Hz, Single phase input, support 380V power input using star wiring.
- Lower power consumption, over 2.5km power line using 16 mm² cable;
- High speed and reliable operation thanks to the use of CAN between main and unit control boxes
- RS485 port in main control cabinet available, used for communication with control and monitoring system;
- Main control cabinet can control different number of light heads, 32 flashing lights maximum (2 runway threshold identification lights included)
- System equipped with lightning protection circuit for effective strike protection;
- Xenon lights are triggered by electronic switch on trigger circuit;
- Unit control circuit provides reliable protection; power is cut-off when the unit control box or flasher head is open;



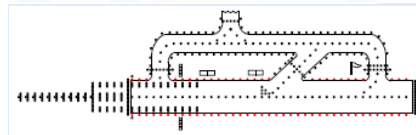
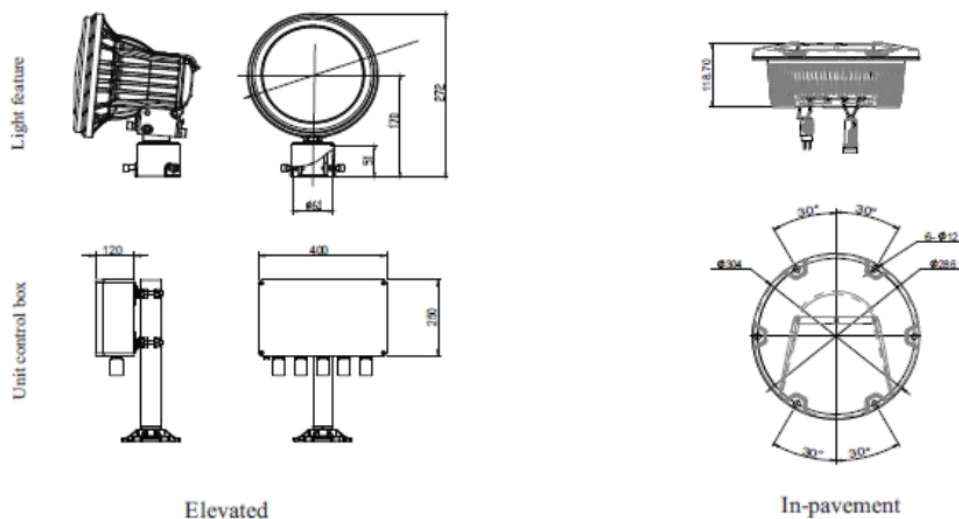
Sequence Flashing Light System

SFL

Airsafe



Dimensions



Sequence Flashing
Light System

SFL

Airsafe

Installation

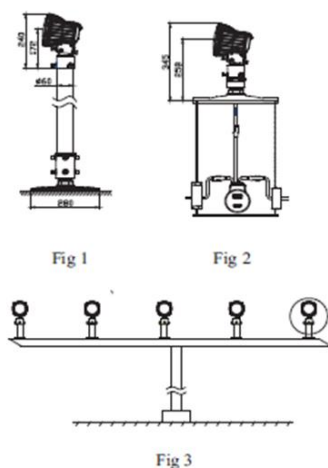


Fig 1. On approach pole.
Fig 2. On approach deep base.
Fig 3. On approach mast.
* Please find detailed information in installation document
Option: Angle Calibrator (Order No. 54200)

Photometric Characteristics

Beam angle: horizontal $\pm 15^\circ$, vertical $\pm 5^\circ$
Flash frequency: once or twice pro second
Light intensity: Low: 150-450cd
Medium 800-2000cd
High: 8000-20000cd
Elevation angle: 0 to 15 degrees vertical

Finish

- Phosphating and baked polyester electrostatic powder coating.
- Colour: aviation yellow
- Stainless steel hardware..