



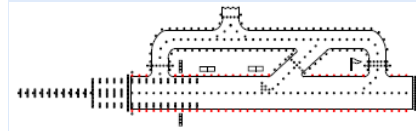
Compliance

ICAO: ICAO: Annex 14, Volume I,
para 5.4 and Appendix 4.

EASA: CS ADR-DSN.Book 1

IEC: 61827

NATO: STANAG 3316



Internally Illuminated
LED Guidance Sign

TGSL-H

Airsafe

Uses

- The TGSL-H Taxiway Guidance Sign has been designed to be used for Mandatory Signs, Information Signs and Location Signs according to ICAO Annex 14 and in compliance with EASA, IEC and STANAG

Features

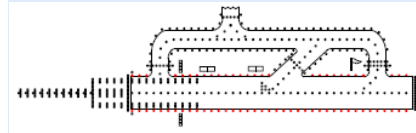
- Unique patented no hinge design, c/w labyrinth seal waterproof structure and easy access for maintenance service
- Detachable front panel frame, provide convenient access for inner enclosure cleaning and other service work
- IP54 sturdy and durable aluminium enclosure frame with integrated leg support poles;
- Stainless steel fasteners.
- 4.5 mm thick Polycarbonate front panel, high UV, temperature and impact resistance
- Distinct bright colour and clear text provide excellent guidance information to manoeuvring airplane.
- Resistant to jet blast and wind velocity up to 160 km/h or 320 km/h
- Precision machined frangible pole meets ICAO and FAA requirement for frangibility
- Supplied with safety tether for enhanced airfield safety operation
- Power Supply 6.6A or 230V
- Low power consumption
- Excellent light output with OSRAM high performance LED strips that extend operational life span
- Reduced maintenance thanks to the long life expectancy of the LEDs
- Modular design creates user friendly and convenience maintenance and operation environment

Finish

- Phosphating and baked polyester electrostatic powder coating.
- Colour: white or aviation yellow
- Stainless steel hardware

Electrical Supply

6.6 A, through a matching isolating transformer.

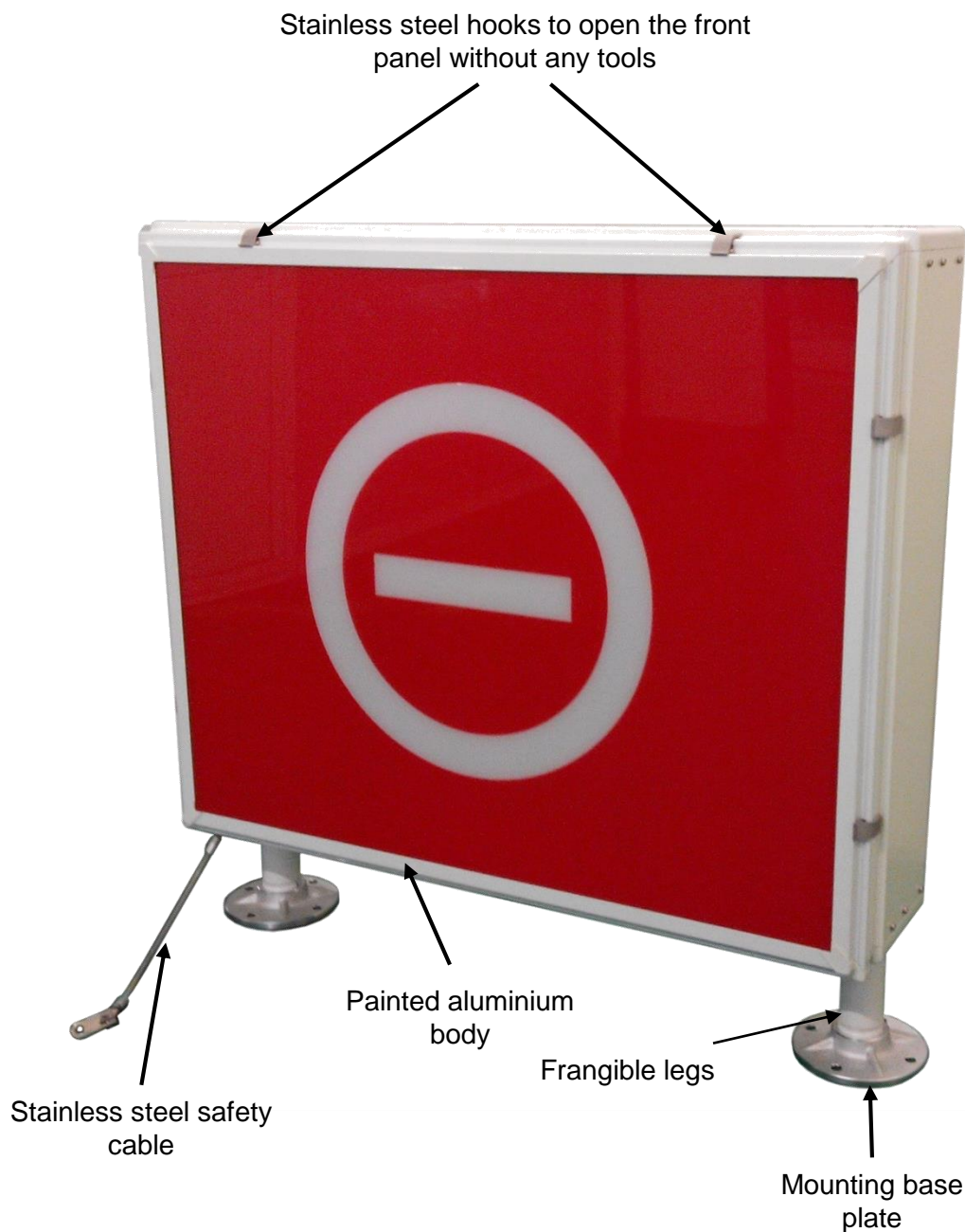


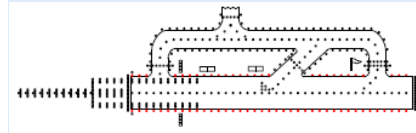
Construction Details

Internally Illuminated
LED Guidance Sign

TGSL-H

Airsafe





Internally Illuminated
LED Guidance Sign

TGSL-H

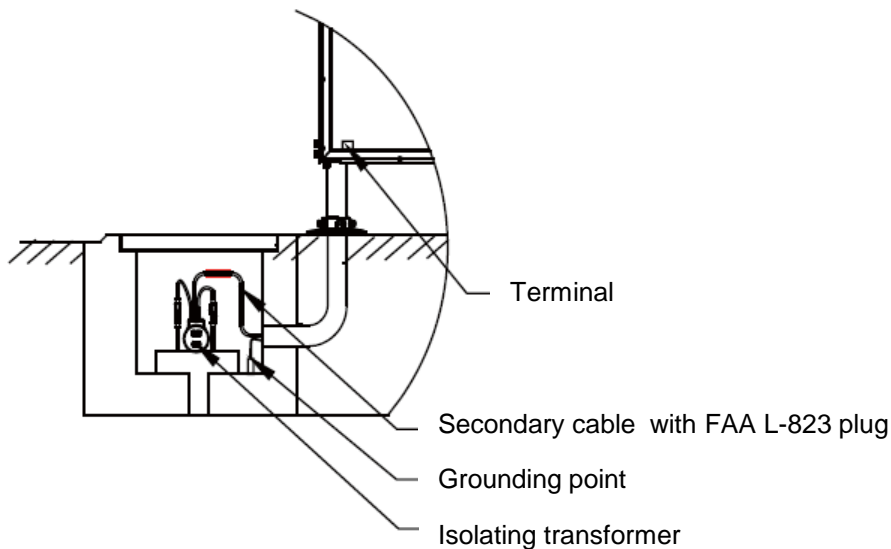
Airsafe

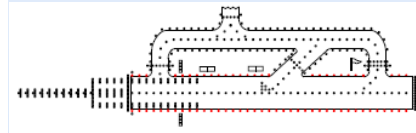
ELECTICAL CONNECTION

The signs are fitted with a terminal block to facilitate the connection with the series circuit.

The connection with the isolation transformer are routed through a twin core cable 2x2.5 mm² with secondary connector FAA L-823.

The sign body is provided with a grounding point.





Internally Illuminated
LED Guidance Sign

TGSL-H

Airsafe

TECHNICAL CHARACTERISTICS

- Compliant with ICAO Annex 14 Para 5.4; FAA AC 150/5345-44 for mechanical characteristics, EASA, STANAG 3316 and AENA PPT DIA/NOR/PPT/022
- Character Height in accordance with ICAO Annex 14
- Supply :
 - Type M: powered by 220V AC
 - Type S: powered by 2.8 to 6.6A series circuit
- Lamp Source: LED strips
- Lamp lifespan: ~ 50,000 hours.
- Temperature: -40° to + 55°
- Wind resistance: 160km/h or 320km/h (to be specified at time of order)
- Average brightness of the sign:
 - Red ≥ 30 cd/m²
 - Yellow ≥ 150 cd/m²
 - White ≥ 300 cd/m²
- Chromaticity compliant with ICAO Appendix 1, Para.3.4
- Protection class IP54

DIMENSIONS

Guidance Sign minimum length is 900mm; customization to required dimension shall be incremented by 200mm (min) per incremental length, up to maximum guidance sign length of 3000mm.

The diagram below shows typical dimension of the guidance sign:

