



COMPLIANCE:

- ICAO Annex.14, Vol I.
- FAA AC 150/5345-46
- IEC-TS 61827
- EASA CS-ADR-DSN.
- STANAG 3316
- AENA PPT-015_06-12



BOARDING TIME

BOARDING PASS

NAME OF PASSANGER	
FROM:	TO:
DATE	FLIGHT GAES2020
GATE 23	SEAT 21B

GATE CLOSSES 30 MINUTES BEFORE DEPARTURE
GAES 454843121451100

GOMINTEC
BOARDING PASS
GOMINTEC



Uses

Elevated approach centerline / crossbar light for airports CAT I, II y III, compliance to ICAO Fig A2-1.

Features

- Compact and lightweight structure with reduced wind exposed surface.
- Exclusive optical design based on glass diffuser with inner refractive prisms to avoid dirt deposit.
- Reduced height to minimize the jet blast impact.
- Robust body built on high strength aluminum alloy, anti-corrosion treatment and excellent thermal dissipation.
- Stainless steel hardware to grant the waterproof and corrosion resistance.
- Glass diffuser fixed to the main body through retaining ring and waterproof gland without additional sealants.
- International standard PK30D prefocus bulb.
- No adjustments required after lamp or another optical component replacement.
- No tools required to access to the lamp housing, to provide an easy maintenance.
- Interchangeable components, usable in all types of elevated uni-directional lights.



Specifications

- Power: 2.8A ~ 6.6A.
- Prefocused halogen lamp: 1x150W / 6.6A Pk30d.
- Lamp average life: More than 1.500h at maximum brightness and more than 3.000h in a normal operation conditions.
- Color: White
- Index Protection: IP65

EUL-AP | Elevated Approach Centerline/Crossbar Light - Airsafe

Order Code

EUL-AP - 150 - C

Type *EUL-AP = Elevated Approach Centerline / Crossbar Light*

Power *150 = 150W*

Beam Color *C = Clear (white)*

Installation

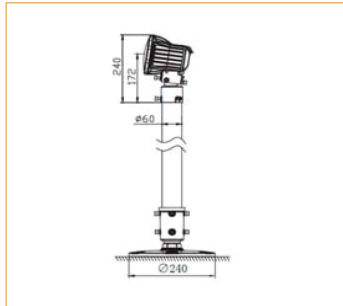


Figure 1
On extension pole

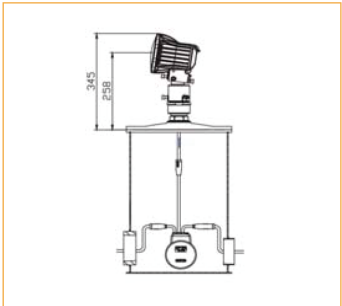


Figure 2
On 12" deep base

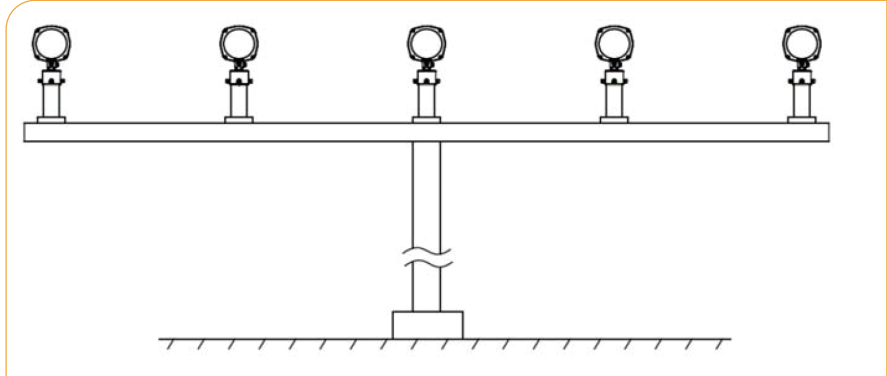
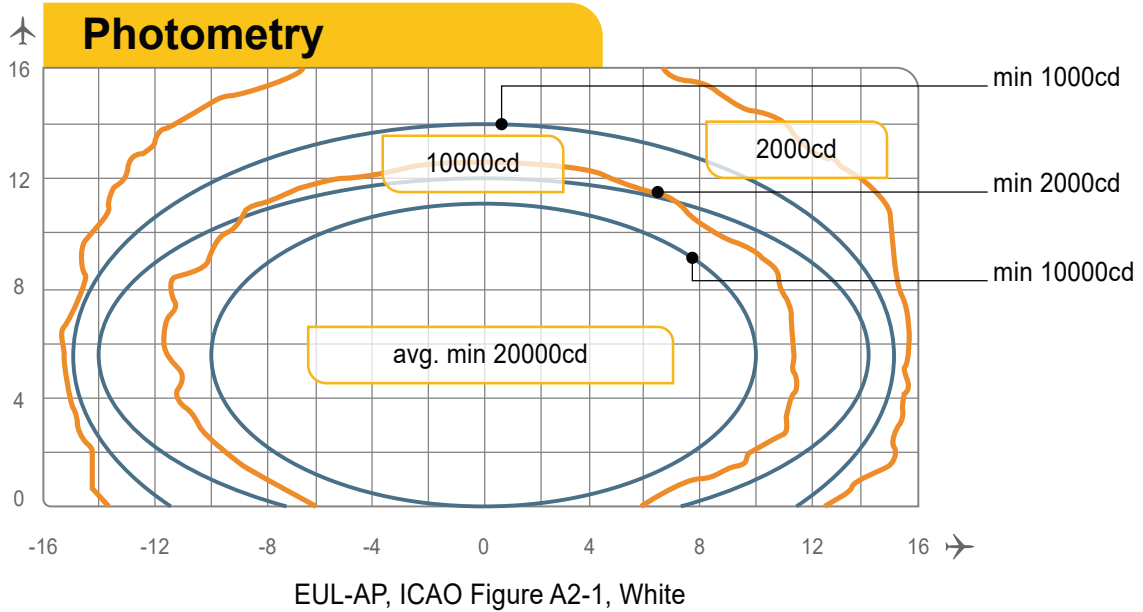


Figure 3
On approach mast

EUL-AP | Elevated Approach Centerline/Crossbar Light - Airsafe



Application		Main beam		Color	Required main avg. cd.	Actual avg. cd
		H	V			
EUL-AP	ICAO Fig. A2-1	± 10°	0 a 11°	White	20.000	23.445
		± 10°	0,5 a 11,5°	White	20.000	21.152
		± 10°	1,5 a 12,5°	White	20.000	23.579
		± 10°	2,5 a 13,5°	White	20.000	21.959

Structure

- 1 Front cover
- 2 Optical cover
- 3 Optical cover gasket
- 4 Reflector
- 5 Light body
- 6 Lamp holder
- 7 Lamp
- 8 Light body gasket
- 9 Rear cover
- 10 Hinge pin
- 11 Front adjusting screw
- 12 Washer
- 13 Hinge pin
- 14 Rear adjusting screw
- 15 Side locking screw
- 16 Body base
- 17 Set screw
- 18 Lamp socket
- 19 Waterproof gland
- 20 Plug

Spare Parts

N°	Order No.	Description
2	31108	Optical cover
3	41110	Optical cover gasket
4	31108	Reflector
6	945518	Lamp holder
7	L64361	Prefocused halogen lamp 150W Pk30D
8	41111	Lamp body gasket
18	41221	Lamp socket
19	48404	Waterproof gland
20	HT70603	Style 6 plug

Accessories

N°	Order No.	Description
1	FL-10	Flange 10"
2	FL-12-X-G2	Flange 12"
3	FC-02	Frangible coupling (2")
4	ITF-150-066	Isolation transformer (150W)
5	REC 7	Secondary cable connector style 7
6	954211	Corrector
7	TJB-12	Isolation transformer box



Weights and Dimensions

• <i>Packaging size</i>	220 × 220 × 265 mm ³
• <i>Weight</i>	2,33 kg