

APPS-12-LED | LED In-pavement approach centerline/crossbar light - Airsafe



COMPLIANCE

- ICAO Annex. 14, Vol.I
- FAA AC 150/5345-46
- IEC-TS 61827
- EASA: CS-ADR-DSN.
- STANAG 3316
- AENA PPT-010_03-12



BOARDING TIME



BOARDING PASS

NAME OF PASSANGER

FROM:

TO:

DATE: FLIGHT GAES2020

GATE 23 SEAT 21B

GATE CLOSSES 30 MINUTES BEFORE DEPARTURE

BOARDING PASS

Uses

LED in-pavement approach centerline / crossbar lights for airports CAT I, II & III, according to ICAO, Figure A2-1.

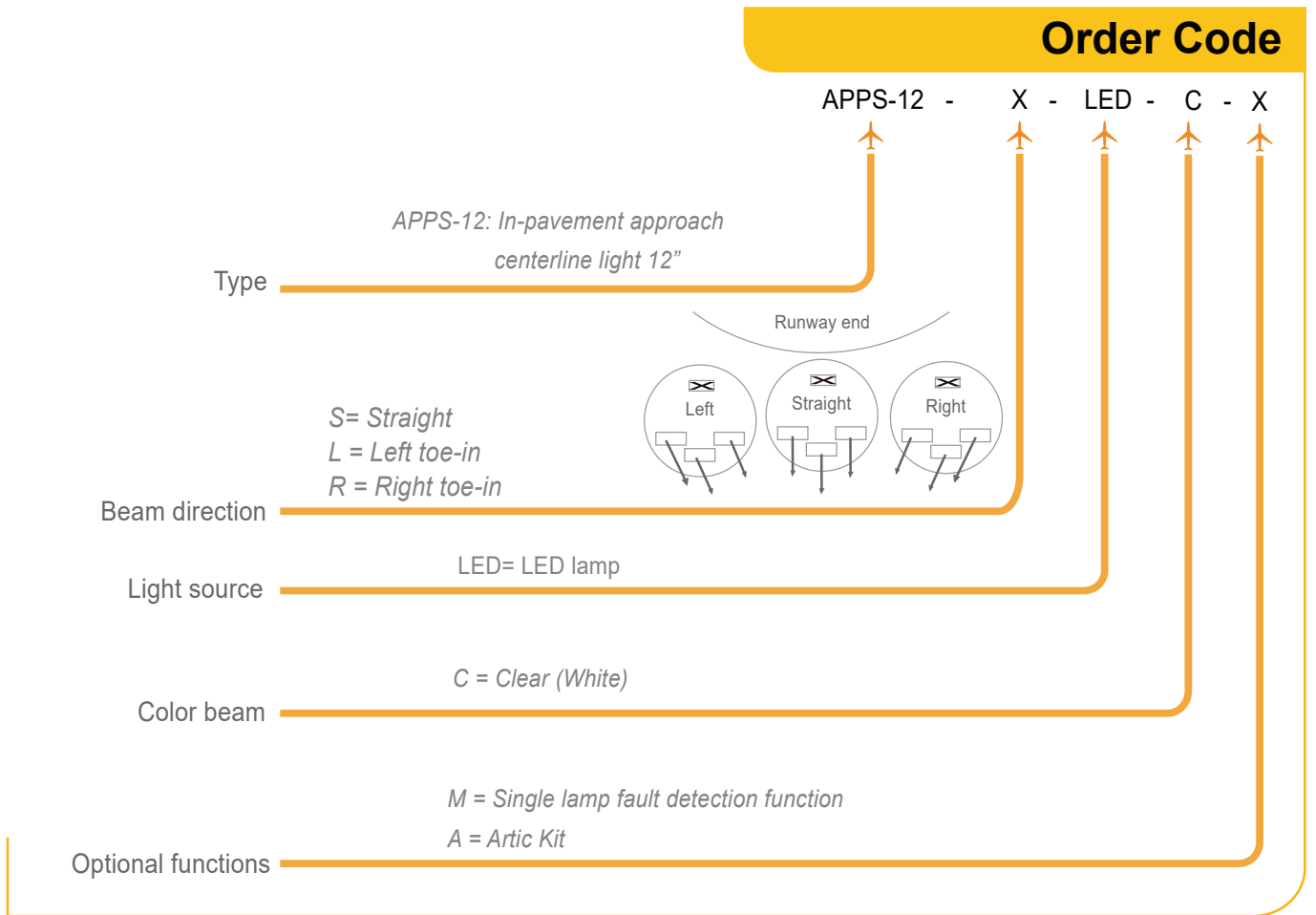
Features

- 12" external diameter, with upper and lower cover manufactured on high strength forged aluminum, and only 6mm of profile over pavement.
- Stainless steel hardware.
- Surface treatment to prevent the wear and increase the corrosion resistance, which makes it especially resistant to dust and water.
- Smooth surface without sharp edges to avoid damages at the aircraft tyres.
- Regulation according to FAA EB67E equivalent to a halogen lamp.
- Integrated surge protection.
- Efficient control of LEDs operating temperature, increasing the light life and avoid color change.
- High features optical design.
- Compatible with existing circuits of visual aids.

Specifications

- Power: 2.8A ~ 6.6A, according to FAA EB67D.
- Average life: minimum 60.000h at maximum brightness and 100.000h in a normal operating conditions.
- Color: White
- Consumption: 72VA; FP >0,95
- Index Protection: IP68.

APPS-12-LED | LED In-pavement approach centerline/crossbar light - Airsafe



Installation

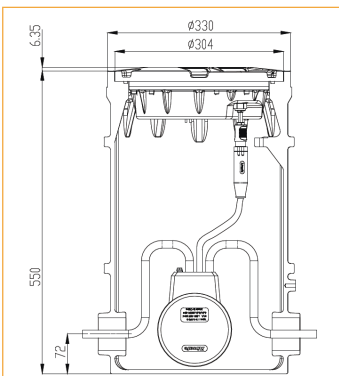


Figure 1
On 12" deep base

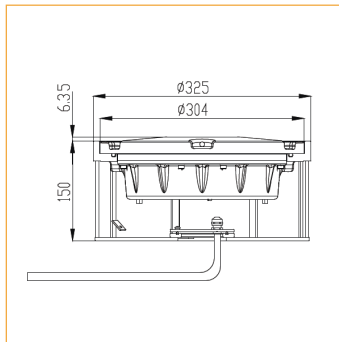
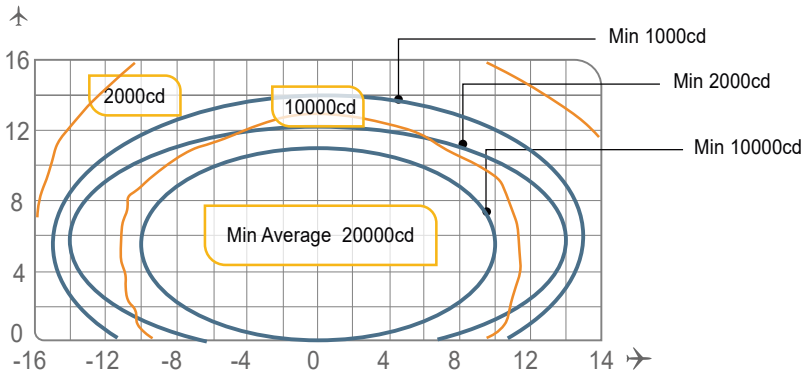


Figure 2
On 12" shallow base

Photometry

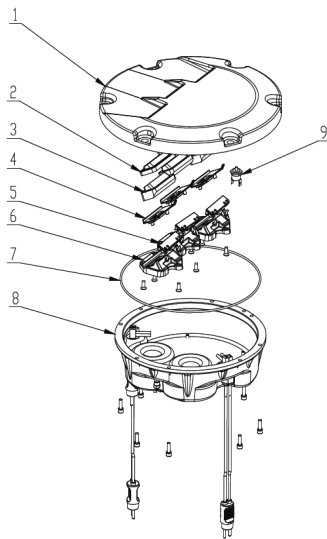


APPS-12-LED, ICAO Fig. A2-1, White

Application		Main Beam		Color	Required min avg cd.	Actual avg. cd.
		H	V			
APPS-12-LED	ICAO Fig A2-1	± 10°	0° a 11°	White	20.000	23.561
		± 10°	0,5° a 11,5°	White	20.000	23.687
		± 10°	1,5° a 12,5°	White	20.000	23.538
		± 10°	2,5° a 13,5°	White	20.000	23.569



Structure



- 1 Upper cover
- 2 Prism gasket sleeve
- 3 Prism
- 4 LED lamp assy
- 5 Prism gasket
- 6 Prism pressing bracket
- 7 Light body gasket
- 8 Inner cover assy
- 9 Thermal switch

Spare Parts

N°	Order No.	Description
2	43117	Prism gasket sleeve
3	31158	Prism
4	932053-APPS-C	LED lamp assy
5	43316	Prism gasket
6	43241	Prism pressing bracket
7	41135	Body light gasket

Accessories

N°	Order No.	Description
1	SB-12	12" deep base
2	DB-12	12" shallow base
3	41115	12" base O-ring
4	51121	12" lamp handle
5	ITF-100-066	100W isolation transformer
6	REC7	Moulded type secondary cable receptable style 7



Weight and Dimensions

	Base	12" shallow base
Packaging size	330x330x150mm ³	350x350x185mm ³
Weight	9,7 kg	14,260 kg