




COMPLIANCE:

- ICAO Annex.14 Vol.1
- FAA AC 150/5345-46
- IEC-TS 61827
- EASA: CS-ADR-DSN
- STANAG 3316
- AENA PPT-012_03-12



BOARDING TIME

BOARDING PASS

NAME OF PASSANGER

FROM:

TO:

DATE

FLIGHT
GAES2020

GATE 23 SEAT 21B

GATE CLOSSES 30 MINUTES BEFORE DEPARTURE

BOARDING PASS

Uses

LED In-pavement runway touchdown zone light for airports CAT I, II & III, according to CAO, Figure A2-5.

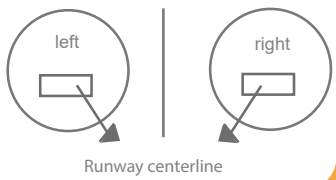
Features

- 8" external diameter, with upper and lower cover manufactured on high strength forged aluminum, and only 6mm of profile over pavement.
- Stainless steel hardware.
- Surface treatment to prevent the wear and increase the corrosion resistance, which makes it especially resistant to dust and water.
- Smooth surface without sharp edges to avoid damages at the aircraft tyres.
- Regulation according to FAA EB67E equivalent to a halogen lamp.
- Integrated surge protection.
- Efficient control of LEDs operating temperature, increasing the light life and avoid color change.
- High features optical design.
- Compatible with existing circuits of visual aids.

Specifications

- Power: 2.8A ~ 6.6A, according to FAA EB67D.
- Average life: minimum 60.000h at maximum brightness and 100.000h in a normal operating conditions.
- Color: White
- Consumption 20VA ; FP >0,95
- Index Protection: IP68.

TDZS-08 | LED In-pavement runway touchdown zone light - Airsafe

		Order Code
Type	TDZS-08 = 8" runway touchdown zone light	TDZS-08
Beam direction	L = Toe-in left R = Toe-in right 	X
Light source	LED	LED
Beam color	C = Clear (White)	C
Optional functions	M = Single lamp fault detection function A = Artic kit	X



Installation

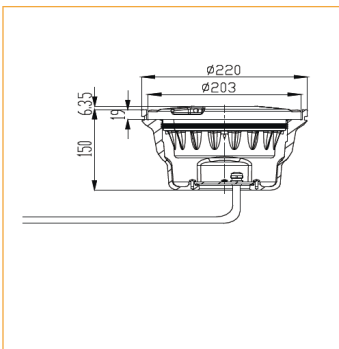


Figure 1
On 8" shallow base

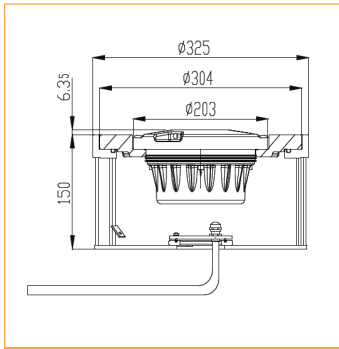


Figure 2
On 12" shallow base with
12" - 8" adapter ring

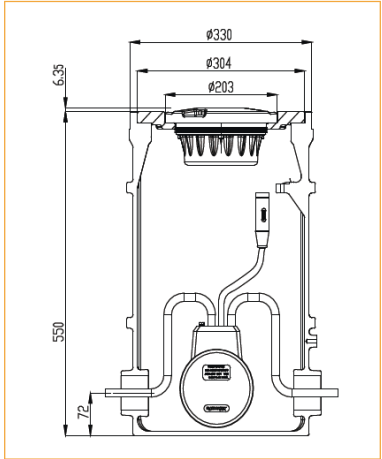
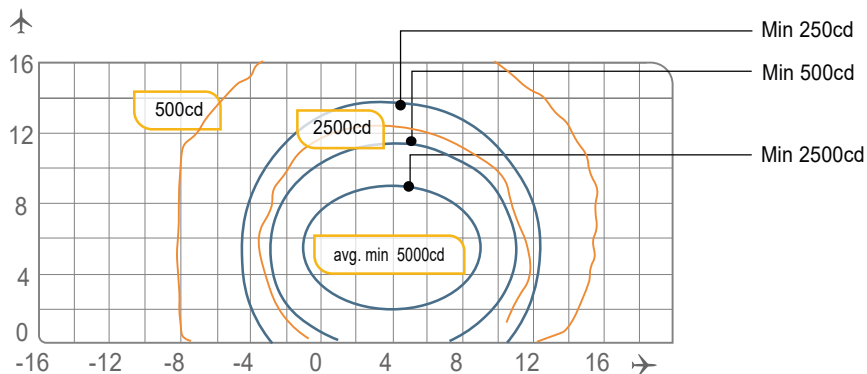


Figure 3
On 12" deep base with
12" - 8" adapter ring

TDZS-08 | LED In-pavement runway touchdown zone light - Airsafe

Photometry

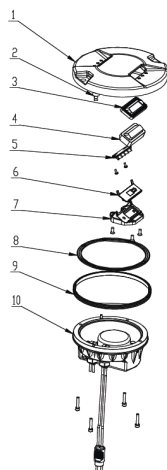


TDZS-08-LED, ICAO Fig. A2-5, White

Application		Main beam		Color	Required min. avg. cd.	Actual avg. cd.
		H	V			
TDZS-08-LED	ICAO Fig A2-5	±5° (Toe-in 4°)	2° a 9°	White	5.000	6.683



Structure



- 1 Upper cover
- 2 Thermal switch
- 3 Prism gasket sleeve
- 4 Prism
- 5 LED lamp assy
- 6 Prism gasket
- 7 Prism pressing bracket
- 8 Light body gasket
- 9 Lighting fixture gasket
- 10 Inner cover assy

TDZS-08 | LED In-pavement runway touchdown zone light - Airsafe

Spare Parts

N°	Order No.	Description
3	43117	Prism gasket sleeve
4	31158	Prism
5	932053-TDZS-C	LED lamp assy - TDZS-C
6	43316	Prism gasket
7	43241	Prism pressing bracket
8	41141	Light body gasket
9	41107	Light fixture gasket

Accessories

N°	Order No.	Description
1	SB-08	8" shallow base
2	SB-12	12" shallow base
3	DB-12	12" deep base
4	AR-12/08	12" - 8" adaptor ring
5	951101	8" lamp handle
6	ITF-045-066	45W isolation transformer
7	REC7	Moulded type secondary cable receptacle style 7

Weight and Dimensions

	Base	8" shallow base
Packaging size	210x210x130mm ³	240x240x180mm ³
Weight	3,5 kg	6,5 kg