

## THRS-12-LED | LED IN-pavement runway threshold light - Airsafe



### COMPLIANCE:

- ICAO Annex.14 Vol.1
- FAA AC 150/5345-46
- IEC-TS 61827
- EASA: CS-ADR-DSN
- STANAG 3316
- AENA PPT-010\_03-12



### BOARDING PASS

NAME OF PASSANGER  
FROM:  
TO:  
DATE  
FLIGHT  
GAES2020  
GATE 23 SEAT 21B

GATE CLOSSES 30 MINUTES BEFORE DEPARTURE

GOMINTEC

BOARDING PASS

GOMINTEC

## Uses

LED in-pavement runway threshold light for airports CAT I, II & III, according to ICAO, Figure A2-3.

## Features

- 12" external diameter, with upper and lower cover manufactured on high strength forged aluminum, and only 6mm of profile over pavement.
- Stainless steel hardware.
- Surface treatment to prevent the wear and increase the corrosion resistance, which makes it especially resistant to dust and water.
- Smooth surface without sharp edges to avoid damages at the aircraft tyres.
- Regulation according to FAA EB67E equivalent to a halogen lamp.
- Integrated surge protection.
- Efficient control of LEDs operating temperature, increasing the light life and avoid color change.
- High features optical design.
- Compatible with existing circuits of visual aids.

## Specifications

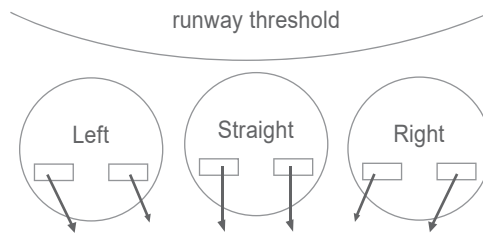
- Power: 2.8A ~ 6.6A, according to FAA EB67D.
- Average life: minimum 60.000h at maximum brightness and 100.000h in a normal operating conditions.
- Color: Green
- Consumption: 40VA ; FP >0,95
- Index Protection: IP68.

**THRS-12-LED | LED IN-pavement runway threshold light - Airsafe**

**Order Code**

THRS-12 - X - LED - G - X

Type *THRS-12 = 12" in-pavement runway threshold light*



*L = Left toe-in  
R = Right toe-in  
S = Straight*

Beam direction

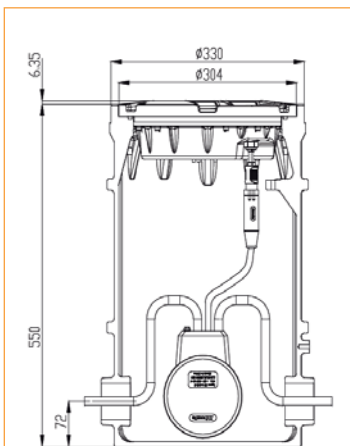
Light source *LED = LED lamp*

Beam color *G = Green*

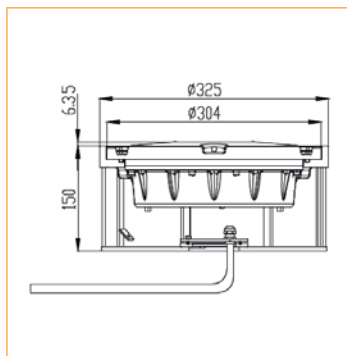
Optional functions  
*M = Single lamp fault detection function  
A = Artic kit  
D = FAA L-850D*



**Installation**



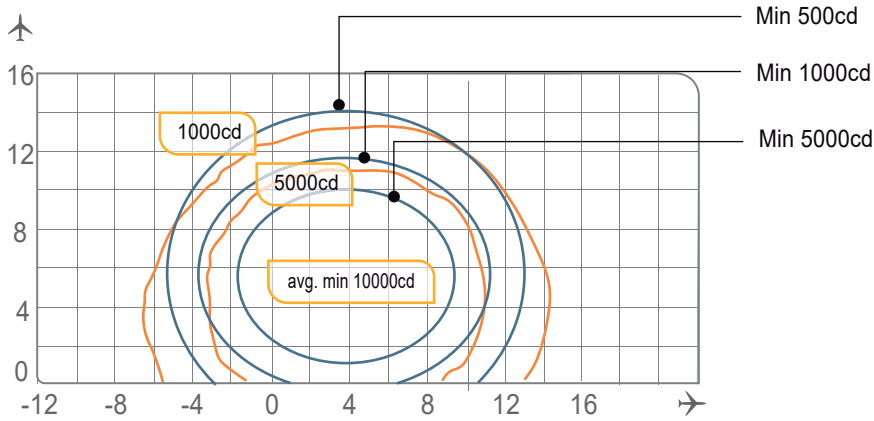
**Figure 1**  
*On 12" deep base*



**Figure 2**  
*On 12" shallow base*

## THRS-12-LED | LED IN-pavement runway threshold light - Airsafe

### Photometry

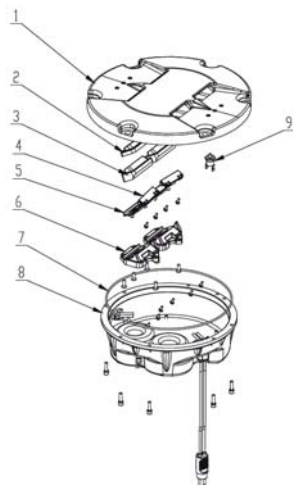


THRS-12-LED, ICAO Fig. A2-3, Green

Application		Main beam		Color	Required min. avg. cd.	Actual avg. cd.
		H	V			
THRS-12-X-LED	ICAO Fig A2-3	$\pm 5,5^\circ$ (Toe-in $3,5^\circ$ )	$1^\circ$ a $10^\circ$	Green	10.000	12.836
THRS-12-S-LED	FAA L-850E	$\pm 6^\circ$	$1^\circ$ a $9^\circ$	Green	5.000	11.142
THRS-12-X-LED-D	FAA L-850D	$\pm 5,5^\circ$ (Toe-in $3,5^\circ$ )	$1^\circ$ a $10^\circ$	Green	3.300	4.124



### Structure



- 1 Upper cover
- 2 Prism gasket sleeve
- 3 Prism
- 4 LED lamp assy
- 5 Prism gasket
- 6 Prism pressing bracket
- 7 Light body gasket
- 8 Inner cover assy
- 9 Thermal switch

## Spare Parts

N°	Order No.	Description
2	43117	Prism gasket sleeve
3	31158	Prism
4	932053-THRS-G	LED lamp assy THRS-G
5	43316	Prism gasket
6	43241	Prism pressing bracket
7	41135	Light body gasket

## Accessories

N°	Order No.	Description
1	SB-12	12" shallow base
2	DB-12	12" deep base
4	51121	12" lamp holder
5	ITF-100-066	100W isolation transformer
6	REC7	Secondary cable connector style 7



## Weight and Dimensions

	Base	12" shallow base
<b>Packaging base</b>	330x330x150mm <sup>3</sup>	350x350x185mm <sup>3</sup>
<b>Weight</b>	9,7 kg	15,6 kg