

**EUL-ED | Elevated runway end light - Airsafe**



### COMPLIANCE:

- ICAO Annex.14, Vol I.
- FAA AC 150/5345-46
- IEC-TS 61827
- EASA CS-ADR-DSN.
- STANAG 3316
- AENA PPT-015\_06-12



BOARDING TIME

#### BOARDING PASS

NAME OF PASSANGER

FROM:

TO:

DATE                      FLIGHT  
                                 GAES2020

GATE                      SEAT  
23                          21B

GATE CLOSSES 30 MINUTES BEFORE DEPARTURE
GAES 454843121451100

GOMINTEC
BOARDING PASS
GOMINTEC

## Uses

Elevated runway end light for airports CAT I, II & III, according to ICAO Fig A2-8.

## Features

- Compact and lightweight structure with reduced wind exposed surface.
- Exclusive optical design based on glass diffuser with inner refractive prisms to avoid dirt deposit.
- Reduced height to minimize the jet blast impact.
- Robust body built on high strength aluminum alloy, anti-corrosion treatment and excellent thermal dissipation.
- Stainless steel hardware to grant the waterproof and corrosion resistance.
- Glass diffuser fixed to the main body through retaining ring and waterproof gland without additional sealants.
- International standard PK30D prefocus bulb.
- No adjustments required after lamp or another optical component replacement.
- No tools required to access to the lamp housing, to provide an easy maintenance.
- Interchangeable components, usable in all types of elevated uni-directional lights.

## Specifications

- Power: 2.8A ~ 6.6A.
- Prefocused halogen lamp 1x100W / 6.6A Pk30d.
- Lamp average life: More than 1.500h at maximum brightness and more than 3.000h in a normal operation conditions.
- Color: Red
- Index Protection: IP65

**Order Code**

EUL-ED - 100 - R

Type *EUL-ED = Elevated runway end light*

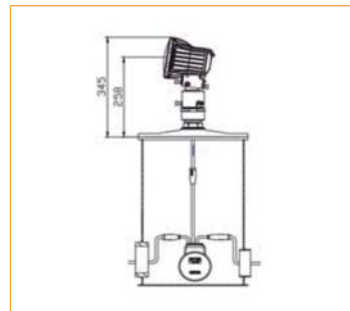
Power *100 = 100W*

Beam color *R = Red*

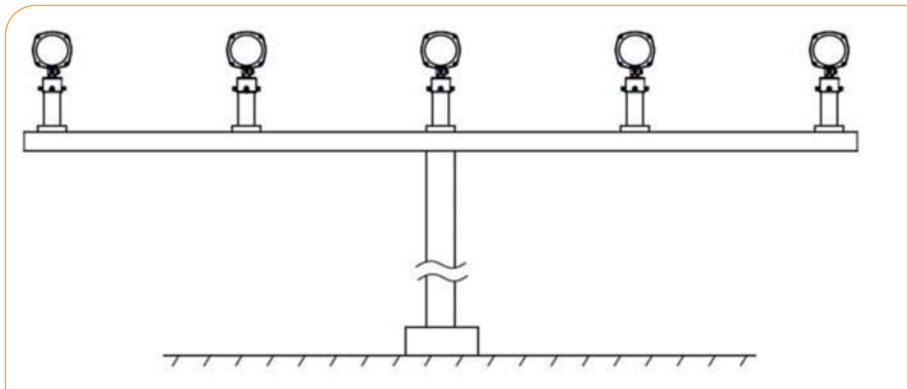
**Installation**



**Figure 1**  
*On extension pole*

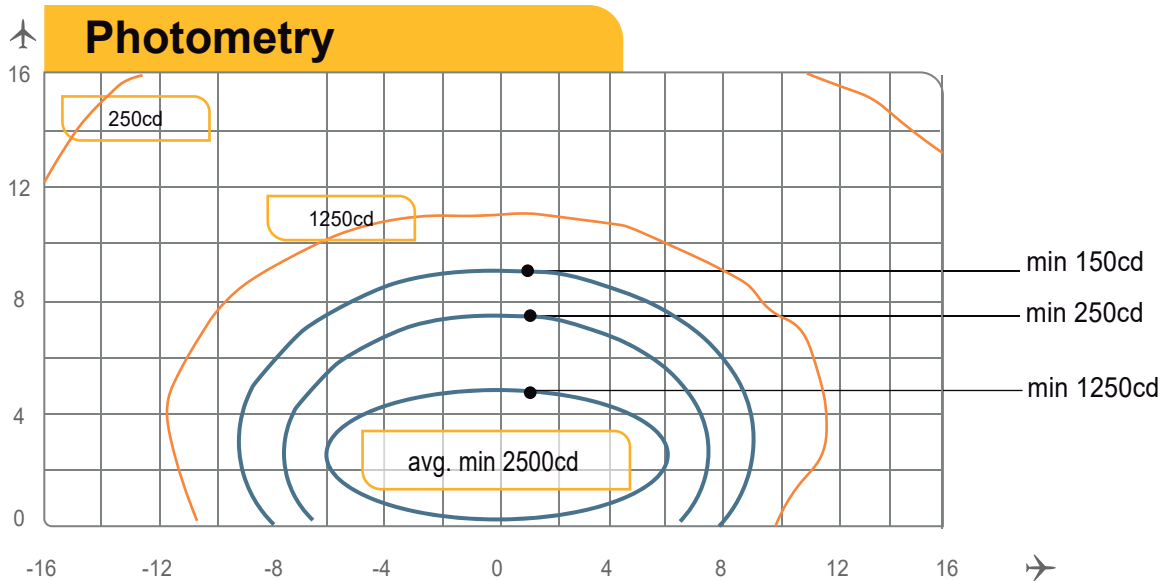


**Figure 2**  
*On 12" deep base*



**Figure 3**  
*On approach mast*

## EUL-ED | Elevated runway end light - Airsafe

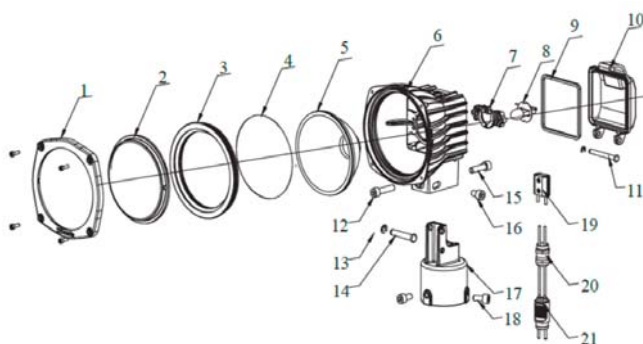


EUL - ED, ICAO Fig A2-8, Red

Application		Main beam		Color	Required min. avg. cd.	Actual avg. cd.
		H	V			
EUL-ED	ICAO Fig. A2-8	± 6°	0,25 a 4,75°	Red	2.500	4.012
		± 6°	0,2 a 4,7°	Red	2.500	4.012



### Structure



- 1 Front cover
- 2 Optical cover
- 3 Optical cover gasket
- 4 Filter
- 5 Reflector
- 6 Light body
- 7 Lamp holder
- 8 Lamp
- 9 Light body gasket
- 10 Rear cover
- 11 Hinge pin
- 12 Front adjusting screw
- 13 Washer
- 14 Hinge pin
- 15 Rear adjusting screw
- 16 Side locking screw
- 17 Body base
- 18 Set screw
- 19 Lamp socket
- 20 Waterproof gland
- 21 Plug

## Spare Parts

N°	Order No.	Description
2	31108	Optical cover
3	41110	Optical cover gasket
4	31317-R	Filter
5	31109	Reflector
6	945518	Lamp holder
7	L64341	Prefocused halogen lamp 100W Pk30D
8	41111	Lamp body gasket
18	41221	Lamp socket
19	48404	Waterproof gland
20	HT70603	Secondary cable connector style 6
	945519	Hinge

## Accessories

N°	Order No.	Description
1	FL-10	Flange 10"
2	FL-12-X-G2	Flangee 12"
3	FC-02	Frangible coupling (2")
4	ITF-150-066	150W isolation transformer
5	REC 7	Secondary cable connector style 7
6	954211	Corrector
7	TJB-12	Isolation transformer box



## Weight and Dimensions

- **Packaging size** 220 x 220 x 265 mm<sup>3</sup>
- **Weight** 2,33 kg