


## ENDS-12-LED | LED In-pavement runway end light - Airsafe

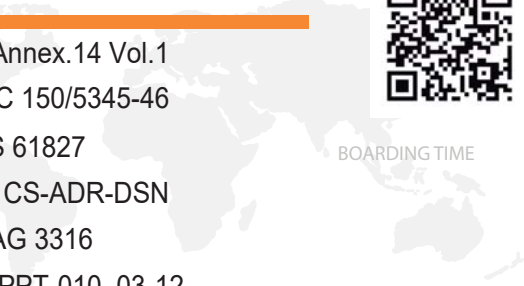


### COMPLIANCE:

- ICAO Annex.14 Vol.1
- FAA AC 150/5345-46
- IEC-TS 61827
- EASA: CS-ADR-DSN
- STANAG 3316
- AENA PPT-010\_03-12



BOARDING TIME



#### BOARDING PASS

NAME OF PASSANGER

FROM:

TO:

DATE                      FLIGHT

   GAES2020

GATE                      SEAT

23                              21B

GATE CLOSSES 30 MINUTES BEFORE DEPARTURE

BOARDING PASS

### Uses

LED in-pavement runway end light for airports CAT I, II & III, according to ICAO, Figure A2-8.

### Features

- 12" external diameter, with upper and lower cover manufactured on high strength forged aluminum, and only 6mm of profile over pavement.
- Stainless steel hardware.
- Surface treatment to prevent the wear and increase the corrosion resistance, which makes it especially resistant to dust and water.
- Smooth surface without sharp edges to avoid damages at the aircraft tyres.
- Regulation according to FAA EB67E equivalent to a halogen lamp.
- Integrated surge protection.
- Efficient control of LEDs operating temperature, increasing the light life and avoid color change.
- High features optical design.
- Compatible with existing circuits of visual aids.

### Specifications

- Power: 2.8A ~ 6.6A, according to FAA EB67D.
- Average life: minimum 60.000h at maximum brightness and 100.000h in a normal operating conditions.
- Color: Red
- Consumption: 18VA ; FP >0,95
- Index Protection: IP68.

ENDS-12-LED | LED In-pavement runway end light - Airsafe

**Order Code**

ENDS-12 - LED - R - X

Type

*ENDS-12 = 12" in-pavement runway end light*

Light source

*LED = LED lamp*

Beam color

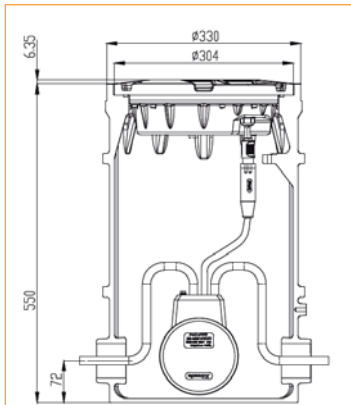
*R = Red*

Optional Functions

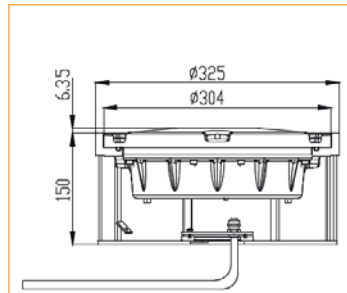
*M = Single lamp fault detection function  
A = Artic kit*



**Installation**



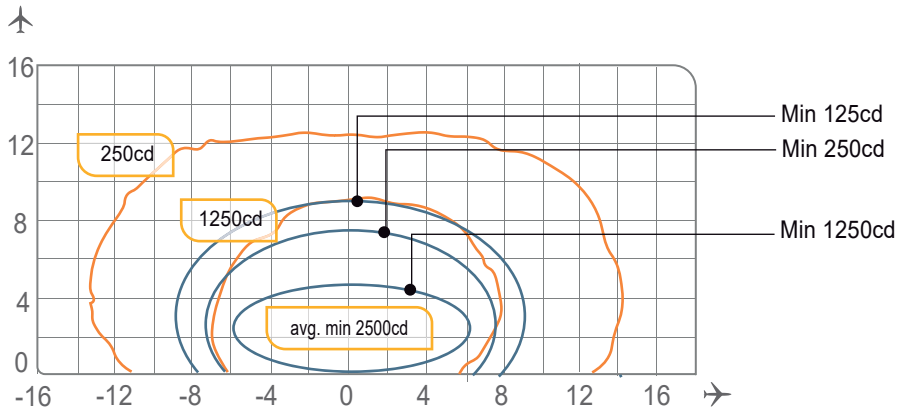
**Figure 1**  
*On 12" deep base*



**Figure 2**  
*On 12" shallow base*

## ENDS-12-LED | LED In-pavement runway end light - Airsafe

### Photometry

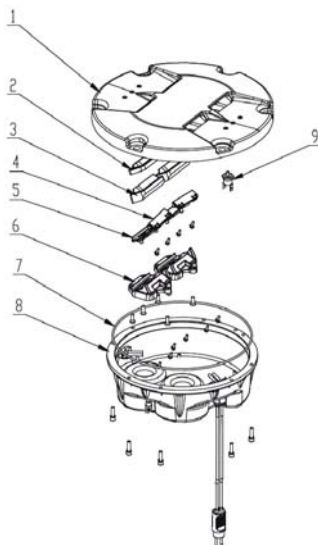


ENDS-08-LED, ICAO Fig. A2-8, Red

Application		Main beam		Color	Required min. avg. cd.	Actual avg. cd.
		H	V			
ENDS-12-LED	ICAO Fig A2-8	±6°	0,25° a 4,75° / 0,2° a 4,7°	Red	2.500	3.034



### Structure



- 1 Upper cover
- 2 Prism gasket sleeve
- 3 Prism
- 4 LED lamp assy
- 5 Prism gasket
- 6 Prism pressing bracket
- 7 Light body gasket
- 8 Inner cover assy
- 9 Thermal switch

## Spare Parts

N°	Order No.	Description
2	43117	Prism gasket sleeve
3	31158	Prism
4	932053-ENDS-R	LED lamp assy -ENDS-R"
5	43316	Prism gasket
6	43241	Prism pressing bracket
7	41135	Light body gasket

## Accessories

N°	Order No.	Description
1	SB-12	12" shallow base
2	DB-12	12" deep base
3	41115	12" base O-ring
4	51121	12" lamp handle
5	ITF-025-066	25W isolation transformer
6	REC7	Secondary cable connector style 7

## Weight and Dimensions

	Base	12" shallow base
<b>Packaging size</b>	330x330x150mm <sup>3</sup>	330x330x150mm <sup>3</sup>
<b>Weight</b>	7,04 kg	11,56 kg