

Installation Accessories and Tools (Flange series)

FL-12 Base Flange 12"

Flange for base or direct installation on the road surface



Outer Diameter 304mm

2" - 11.5 screw

4 x flange packaging

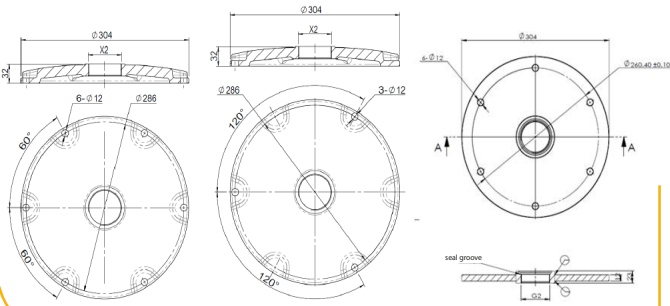
320 x 320 x 150 mm³

2.6kg unit 10.8kg groos

3 x flange packaging

320 x 320 x 150 mm³

2.6kg unit 10.8kg groos



FL-10 Base Flange 10"

Flange used for direct installation on the road surface



Outer Diameter 240mm

240mm

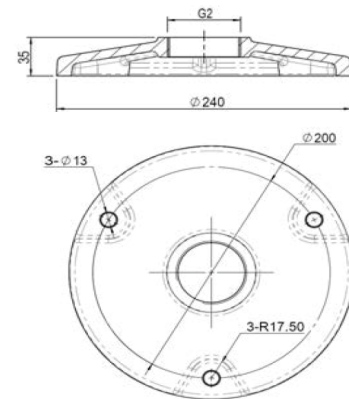
2" - 11.5 screw

6 x flange packaging

240 x 240 x 180 mm³

1.3kg unit

8.4kg groos



Flange used for signs



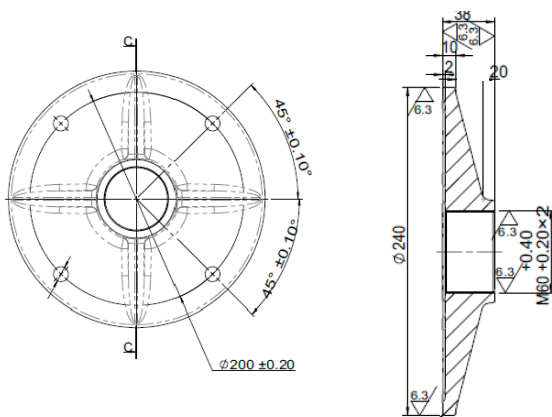
Outer Diameter 240mm

2" - 11.5 or M60 screw

4 x flange packaging

240 x 240 x 180 mm³

2.3kg unit 9.5kg groos



Flange only used for PAPI



Outer Diameter 165mm

165mm

2" - 11.5 screw

8 x flange packaging

240 x 240 x 180 mm³

1.9kg unit

15.8kg groos

