

CP-12 | Cover Plate 12" - Airsafe



COMPLIANCE:

- ICAO: Annex. 14 - Vol. I
- FAA AC 150/5345-42
- EASA CS-ADR-DNS
- STANAG 3316



BOARDING PASS

NAME OF PASSANGER

FROM:

TO:

DATE

GATE
23

FLIGHT
GAES2020

SEAT
21B

BOARDING TIME

GATE CLOSURES 30 MINUTES BEFORE DEPARTURE

GOMINTEC

BOARDING PASS

GOMINTEC

Uses

Applicable for 12" bases.

Features

- Cover plate forged and made of premium aluminum alloy material, with excellent mechanical and carrier capacity, and shock resistance ability.
- Rational structural design with even loading and less possibility of deforming.
- High-precision machining, fully guarantees the quality and precision of cover plate.
- Made of anti-corrosion aluminum with prior preservative treatment, durable in use.
- Same connection dimensions as that of 8-inch in-pavement lights, interchangeable for different 8-inch lights.

Order Code

CP-12

Cover plate 12"

CP-12

Weight & Dimensions

5 cover plates

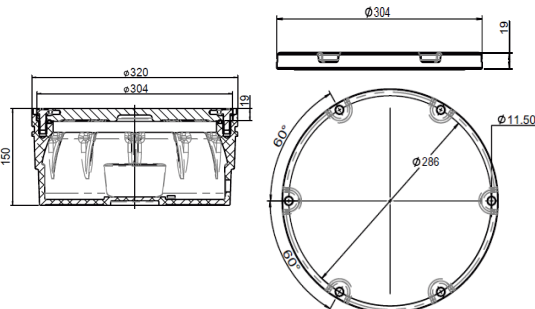
Packaging size

330 × 330 × 150 mm³

Weight

Unit: 3.0kg / Gross: 15.5kg

Installation



Pressure test

