

TCLMS-08-LED | **LED in-pavement taxiway centerline light - Airsafe**



COMPLIANCE:

- ICAO Annex. 14
- FAA AC 150/5345-46
- IEC-TS 61827
- EASA: CS-ADR-DSN
- STANAG 3316
- AENA PPT-018_03-12



BOARDING TIME

BOARDING PASS

NAME OF PASSANGER

FROM:

TO:

DATE: FLIGHT GAES2020

GATE 23 SEAT 21B

GATE CLOSING 30 MINUTES BEFORE DEPARTURE

BOARDING PASS

Uses

LED in-pavement taxiway centerline light for airports CAT I, II & III, according to ICAO, Figures A2-12, A2-13 & A2-14.

Features

- 8" external diameter, with upper and lower cover manufactured on high strength forged aluminum, and only 6mm of profile over pavement.
- Stainless steel hardware.
- Uni-directional and bi-directional configuration.
- Surface treatment to prevent the wear and increase the corrosion resistance, which makes it especially resistant to dust and water.
- Smooth surface without sharpened edges to avoid damages at the aircraft tyres.
- Regulation according to FAA EB67E equivalent to a halogen lamp.
- Integrated surge protection.
- Efficient control of LEDs operating temperature, increasing the light life and avoid color change.
- High features optical design.
- Compatible with existing circuits of visual aids.

Specifications

- Power: 2.8A ~ 6.6A, according to FAA EB67D.
- Average life: minimum 60.000h at maximum brightness and 100.000h in a normal operating conditions.
- Colors: Green & Yellow
- Consumption: 12 VA(XX-2P) ,9 VA(XX-1P), 7 VA(XB-1P); FP >0,95
- Index Protection IP68.
- Installation with 25W isolation transformer

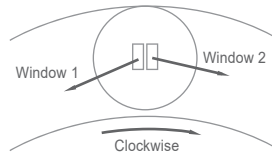
TCLMS-08-LED | LED in-pavement taxiway centerline light - Airsafe

Order Code

TCLMS-08 - X - LED - XX - XX - X

Type *TCLMS: 8" taxiway centerline light*

S= Straight
C= Curved



Beam Direction

LED= LED lamp

Light source

- GG = both windows are green
- YY = both windows are yellow
- GY = Window 1: green / Window 2: yellow
- YG = Window 1: yellow / Window 2: green
- YB = Window 1: yellow / Window 2: is blank
- GB = Window 1: green / Window 2: is blank
- BY = Window 1: is blank / Window 2: yellow
- BG = Window 1: is blank / Window 2: green

Beam color

1P= 1 plug 2P= 2 plugs

Plug

M = single lamp fault detection function

Optional function

Installation

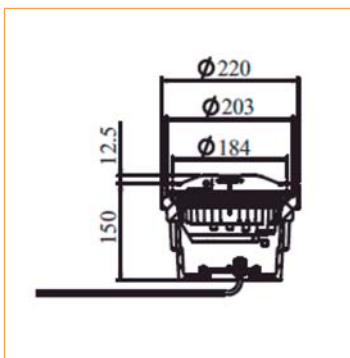


Figure 1
On 8" shallow base

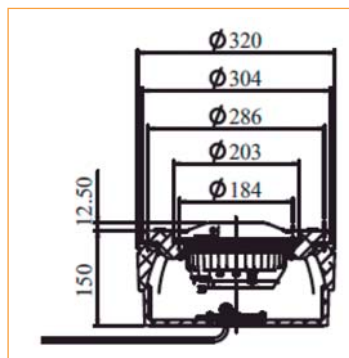


Figure 2
On 12" shallow base with
12 7/8" adapter ring

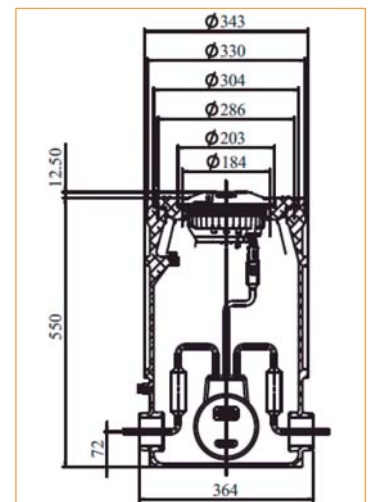
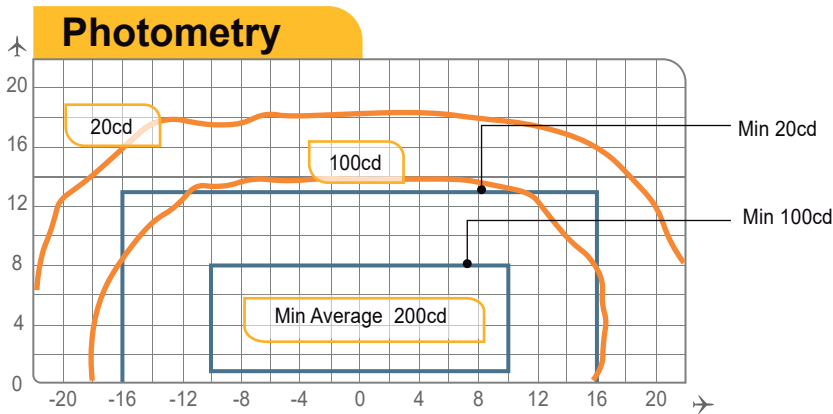
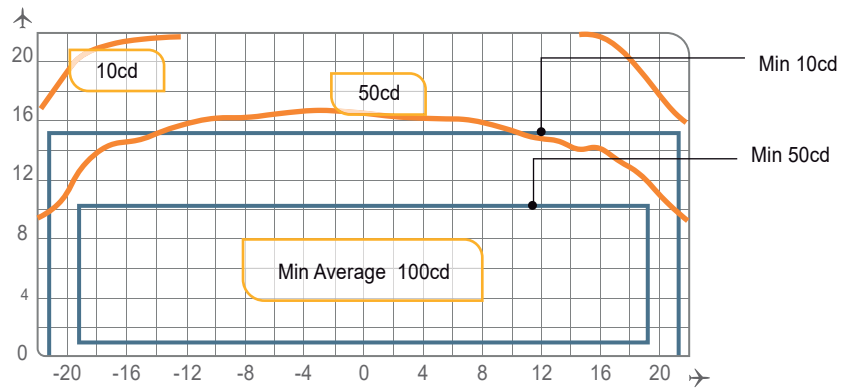


Figure 3
On 12" deep base with
12 7/8" adapter ring

TCLMS-08-LED | LED in-pavement taxiway centerline light - Airsafe



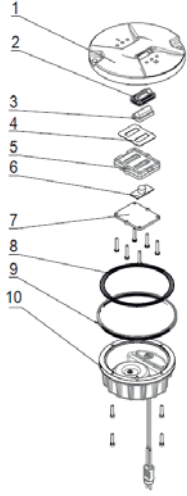
TCLMS-08-S-LED, ICAO Fig. A2-12 Green



TCLMS-08-C-LED, ICAO Fig. A2-12, FAA L-825K, Green

Application		Main beam		Color	Required min. avg. cd.	Actual avg. cd.
		H	V			
TCLMS-08-S-LED	ICAO Fig A2-12	$\pm 10^\circ$	1 a 8°	Green	200	247
				Yellow	200	236
	FAA L-852C ICAO Fig A2-13	$\pm 3,5^\circ$	1 a 8°	Green	200	285
				Yellow	200	267
TCLMS-08-C-LED	FAA L-852C ICAO Fig A2-14	$\pm 19,25^\circ$ (toe-in $15,75^\circ$)	1 a 10°	Green	100	136
				Yellow	100	125

Structure



- 1 Upper cover
- 2 Prism gasket sleeve
- 3 Prism
- 4 Prism gasket
- 5 Prism pressing bracket
- 6 LED lamp assy
- 7 Cooling plate
- 8 Light body gasket
- 9 Lighting fixture gasket
- 10 Inner cover assy

Spare Parts

N°	Order No.	Description
2	43111	Prism gasket sleeve
3	31152	Prism (H19 left toe-in)
	31153	Prism (H19 right toe-in)
	31151	Prism (H19 straight)
4	43313	Prism gasket
5	4321A	Prism pressing bracket
6	979231-GG	LED lamp assy 2x1P-0(GG) standard
	979221-G	LED lamp assy 1P-0(G) standard
	979221-Y	LED lamp assy 1P-0(GG) standard
	979231-GY	LED lamp assy 2x1P-0(GY) standard
	979231-YY	LED lamp assy 2x1P-0(YY) standard
8	41141	Light body gasket
9	41107	Light fixture gasket

Accessories

N°	Order No.	Description
1	SB-08	8" shallow base
2	SB-12	12" shallow base
3	DB-12	12" deep base
4	AR-12/08	12"/8" adaptor ring
5	951101	8" lamp handle
6	ITF-025-066	25W isolation transformer
7	REC7	Secondary cable connector style 7

Weight and Dimensions

	Base	8" shallow base
Packaging size	210x210x130mm ³	240x240x180mm ³
Weight	3,5 kg	6,5 kg