

EUL-SB | Elevated stop-bar light - Airsafe



COMPLIANCE:

- ICAO Annex.14, Vol I.
- FAA AC 150/5345-46
- IEC-TS 61827
- EASA CS-ADR-DSN.
- STANAG 3316
- AENA PPT-015_06-12



BOARDING TIME

BOARDING PASS

NAME OF PASSANGER

FROM:

TO:

DATE FLIGHT
 GAES2020

GATE SEAT
23 21B

GATE CLOSSES 30 MINUTES BEFORE DEPARTURE

GAES 454843121451100

GOMINTEC
BOARDING PASS
 GOMINTEC

Uses

Elevated stop-bar light for airports CAT I, II & III, according to ICAO Fig A2-12.

Features

- Compact and lightweight structure with reduced wind exposed surface.
- Exclusive optical design based on glass diffuser with inner refractive prisms to avoid dirt deposit.
- Reduced height to minimize the jet blast impact.
- Robust body built on high strength aluminum alloy, anti-corrosion treatment and excellent thermal dissipation.
- Stainless steel hardware to grant the waterproof and corrosion resistance.
- Glass diffuser fixed to the main body through retaining ring and waterproof gland without additional sealants.
- International standard PK30D prefocus bulb.
- No adjustments required after lamp or another optical component replacement.
- No tools required to access to the lamp housing, to provide an easy maintenance.
- Interchangeable components, usable in all types of elevated uni-directional lights.

Specifications

- Power: 2.8A ~ 6.6A.
- Prefocused halogen lamp: 1x45W / 6.6A Pk30d.
- Lamp average life: More than 1.500h at maximum brightness and more than 3.000h in a normal operation conditions.
- Color: Red
- Index Protection: IP65

EUL-SB | Elevated stop-bar light - Airsafe

Order Code

EUL-SB - 045 - R

Type *EUL-SB = Elevated stop-bar light*

Power *045 = 45W*

Beam color *R = Red*

Installation



Figure 1
On extension pole

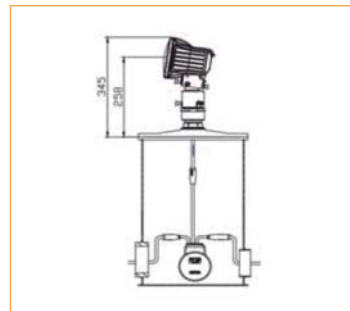


Figure 2
On 12" deep base

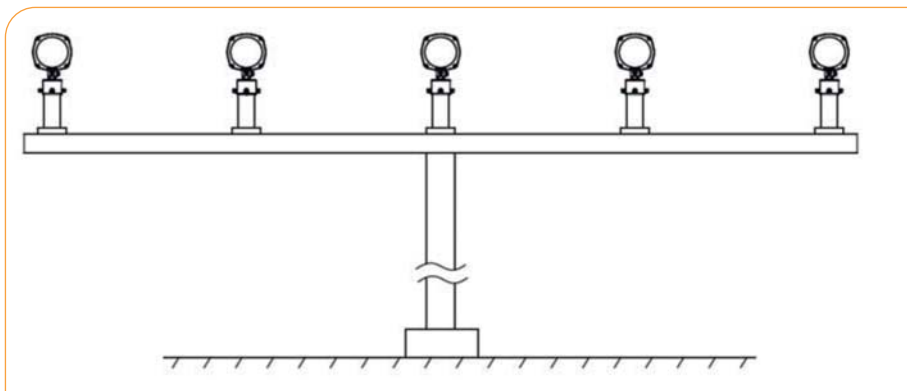
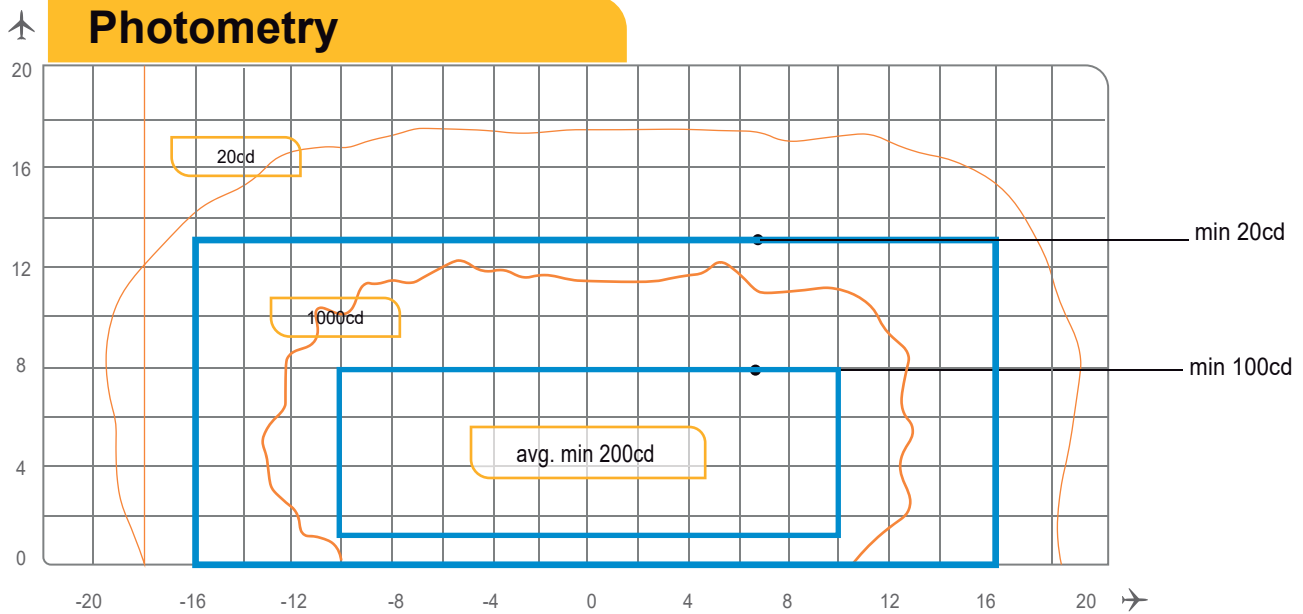


Figure 3
On approach mast

EUL-SB | Elevated stop-bar light - Airsafe

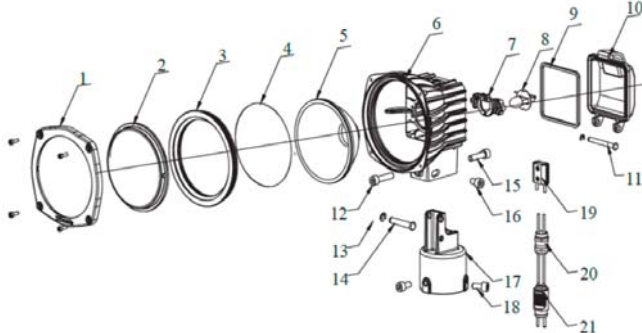


EUL - SB, ICAO Fig A2-12, Red

Application		Main Beam		Color	Required min. avg. cd.	Actual avg. cd.
		H	V			
EUL-SB	ICAO Fig. A2-12	$\pm 10^\circ$	1 a 8°	Red	200	294



Structure



- 1 Front cover
- 2 Optical cover
- 3 Optical cover gasket
- 4 Filter
- 5 Reflector
- 6 Light body
- 7 Lamp holder
- 8 Lamp
- 9 Light body gasket
- 10 Rear cover
- 11 Hinge pin
- 12 Front adjusting screw
- 13 Washer
- 14 Hinge pin
- 15 Rear adjusting screw
- 16 Side locking screw
- 17 Body base
- 18 Set screw
- 19 Lamp socket
- 20 Waterproof gland
- 21 Plug

EUL-SB | Elevated stop-bar light - Airsafe

Spare Parts

N°	Order No.	Description
2	31108	Optical cover
3	41110	Optical cover gasket
4	31317-R	Filter
5	31109	Reflector
6	945518	Lamp holder
7	L64341	Prefocused halogen lamp 100W Pk30D
8	41111	Lamp body gasket
19	41221	Lamp socket
20	48404	Waterproof gland
21	HT70603	Secondary cable connector A6
	945519	Hinge

Accessories

N°	Order No.	Description
1	FL-10	Flange 10"
2	FL-12-X-G2	Flange 12"
3	FC-02	Frangible Coupling (2")
4	ITF-150-066	150W isolation transformer
5	REC 7	Secondary cable connector style 7
6	954211	Corrector
7	TJB-12	Isolation transformer box



Weight and Dimensions

- **Packaging size** 220 x 220 x 265 mm³
- **Weight** 2,33 kg