



COMPLIANCE:

- ICAO Annex.14, Vol I.
- FAA AC 150/5345-46
- IEC-TS 61827
- EASA CS-ADR-DSN.
- STANAG 3316



BOARDING TIME

BOARDING PASS

NAME OF PASSANGER

FROM:

TO:

DATE FLIGHT
 GAES2020

GATE SEAT
23 21B

GATE CLOSSES 30 MINUTES BEFORE DEPARTURE
GAES 454843121451100

GOMINTEC
BOARDING PASS
GOMINTEC

Uses

Elevated runway guard light for airports CAT I, II & III, according to ICAO Fig A2-25.

Features

- Compact and lightweight structure with reduced wind exposed surface.
- Exclusive optical design based on glass diffuser with inner refractive prisms to avoid dirt deposit.
- Reduced height to minimize the jet blast impact.
- Robust body built on high strength aluminum alloy, anti-corrosion treatment and excellent thermal dissipation.
- Stainless steel hardware to grant the waterproof and corrosion resistance.
- Glass diffuser fixed to the main body through retaining ring and waterproof gland without additional sealants.
- International standard PK30D prefocus bulb.
- No adjustments required after lamp or another optical component replacement.
- No tools required to access to the lamp housing, to provide an easy maintenance.
- Interchangeable components, usable in all types of elevated uni-directional lights.
- Alternately lights of 45-50 flashes per minute.
- Visor anti-glare.

Specifications

- Power: 2.8A ~ 6.6A.
- Prefocused halogen lamp: 2x100W / 6.6A Pk30d.
- Lamp average life: More than 1.500h at maximum brightness and more than 3.000h in a normal operation conditions.
- Color: Yellow
- Index Protection: IP67

EUL-RG | Elevated runway guard light - Airsafe

Order Code

EUL-RG - X - XXX - Y

Type

EUL-RG = Elevated runway guard light

Light intensity

*H = High intensity
L = Low Intensity*

Power

200 = 2 x 100W

Beam color

Y = Yellow (Amarillo)



Installation

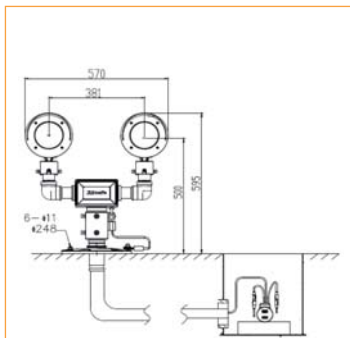


Figure 1
On 12" deep base

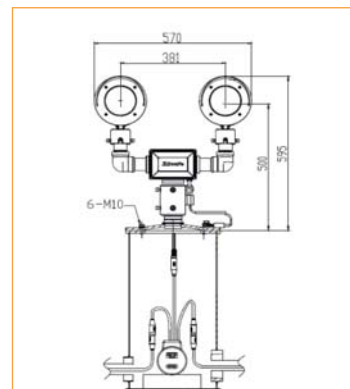
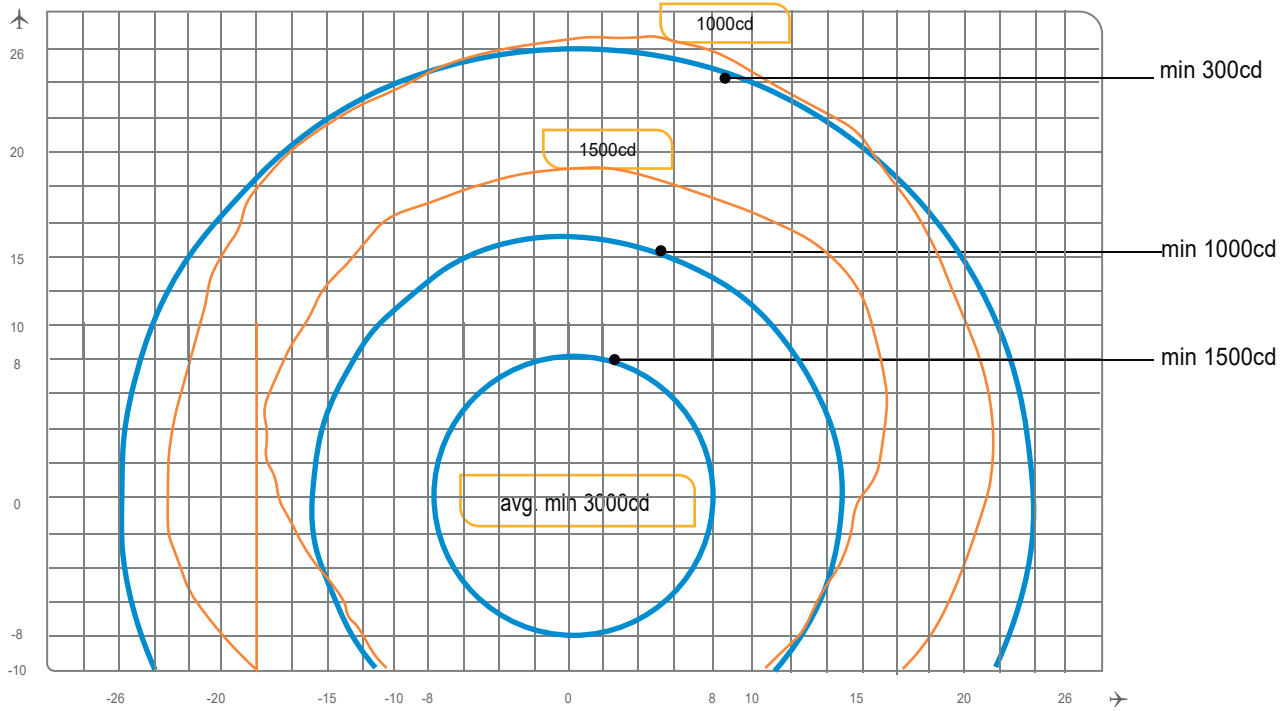


Figure 2
On ground with base plate

Photometry



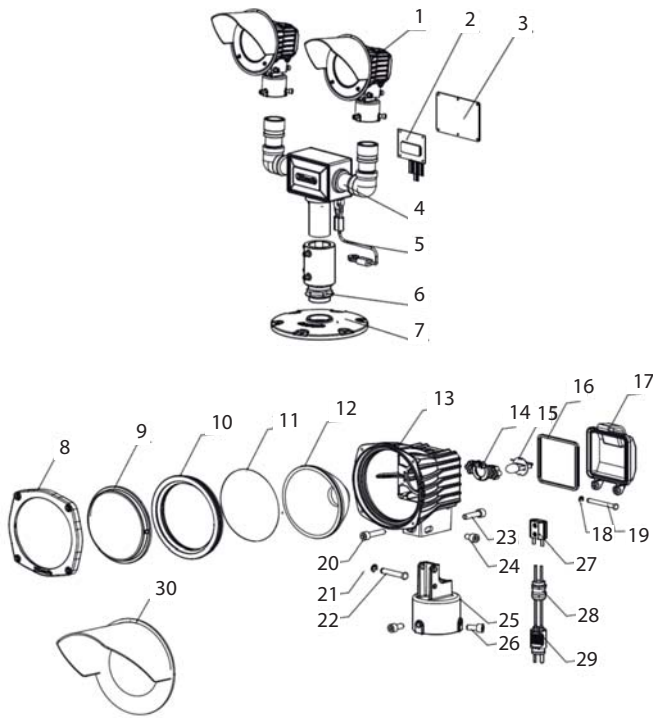
EUL - RG, ICAO Fig A2-25, Yellow

Application		Main Beam		Color	Required min. avg. cd.	Actual avg. cd.
		H	V			
EUL-RG	ICAO Fig. A2-25	± 8°	± 8°	Yellow	3.000	4.871

EUL-RG | Elevated runway guard light - Airsafe



Structure



- 1 Light head assy
- 2 Control panel
- 3 Cover plate
- 4 Holder
- 5 Chain
- 6 Frangible stem
- 7 Flange
- 8 Front cover
- 9 Front glass
- 10 Seal gasket
- 11 Optical filter
- 12 Reflector
- 13 Head assy
- 14 Lamp holder
- 15 Lamp
- 16 Seal gasket
- 17 Rear cover
- 18 Washer
- 19 Hinge pin
- 20 Adjusting screw
- 21 Washer
- 22 Hinge pin
- 23 Adjusting screw
- 24 Lock screw
- 25 Lamp body pallet
- 26 Set screw
- 27 Lamp socket
- 28 Water joint
- 29 Plug
- 30 Visor

Spare Parts

N°	Order No.	Description
1	EUL-RG-Y-01	Light head assy
2	45544	Control board
6	924251	Frangible assy of guard light
7	FL-10	Flange
9	31108	Optical cover
10	41110	Optical cover gasket
11	31317-Y	Filter
12	31109	Reflector
14	945518	Lamp holder
15	L64341	Lamp 100W 6.6A
16	41111	Lamp body gasket
27	41221	Lamp socket
28	48401	Waterproof gland
29	HT70603	Secondary cable connector style A6
	945519	Hinge

EUL-RG | Elevated runway guard light - Airsafe

Accessories

N°	Order No.	Description
1	FL-10	Flange 10"
2	FL-12-X-G2	Flange 12"
3	924251	Frangible coupling (2")
4	ITF-200-066	200W isolation transformer
5	REC 7	Secondary cable connector style 7
6	954211	Corrector
7	TJB-12	Isolation transformer box



Weight and Dimensions

- | | |
|-------------------------|---------------------------------|
| • Packaging size | 220 x 220 x 265 mm ³ |
| • Weight | 2,33 kg |