



**Order Code**

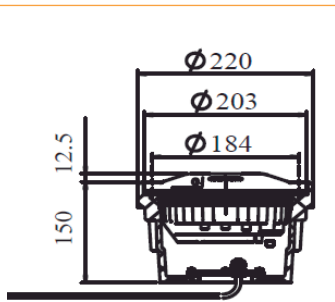
IRGM-08 - 048 - YB

Type *IRGM-08 = 8" in-pavement runway guard light*

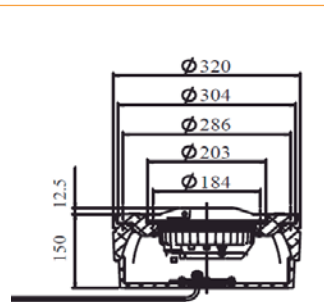
Power *048 = 1x48W*

Beam color *YB = Yellow & Blank*

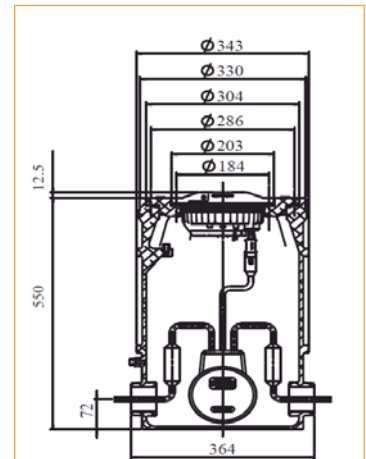
**Installation**



**Figure 1**  
*On 8" shallow base*



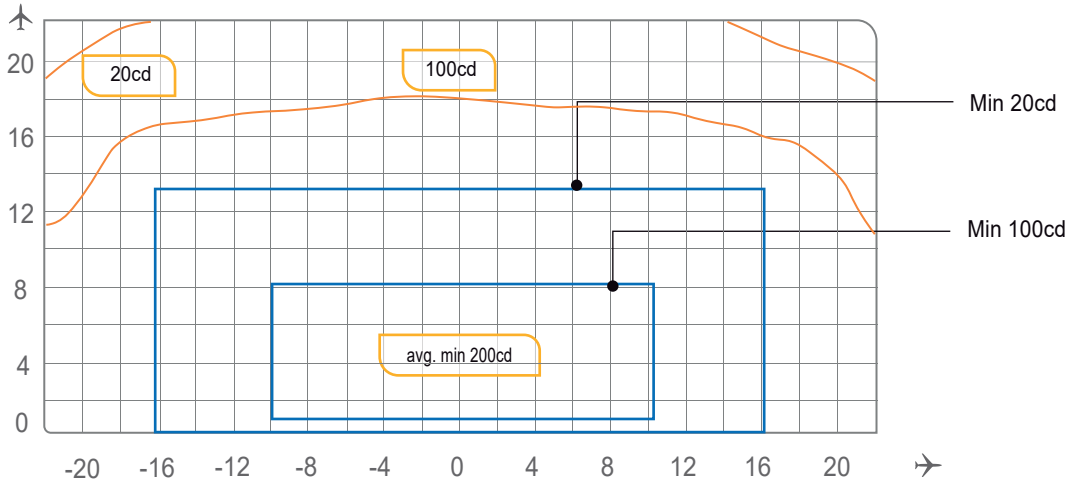
**Figure 2**  
*On 12" shallow base with  
12"/8" adapter ring*



**Figure 3**  
*On 12" deep base with  
12"/8" adapter ring*

## IRGM-08 | In-pavement runway guard light - Airsafe

### Photometry

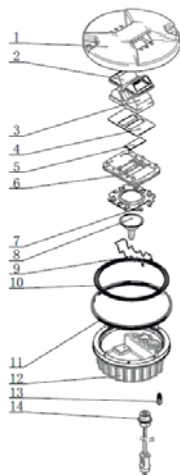


IRGM-08, ICAO Fig. A2-12, Yellow

Application		Main beam		Color	Required min. avg. cd.	Actual avg. cd.
		H	V			
TPLM-08	ICAO Fig A2-12	$\pm 10^\circ$	$1^\circ \text{ a } 8^\circ$	Yellow	200	437
	ICAO Fig A2-13	$\pm 3,5^\circ$	$1^\circ \text{ a } 8^\circ$	Yellow	200	528



### Structure



- 1 Upper cover
- 2 Prism gasket sleeve
- 3 Prism
- 4 Prism gasket
- 5 Filter
- 6 Prism pressing bracket
- 7 Lamp holder
- 8 Lamp
- 9 Pressure spring for lamp
- 10 Light body gasket
- 11 Lighting fixture gasket
- 12 Inner cover
- 13 Valve
- 14 Plug

## Spare Parts

N°	Order No.	Description
2	43109	Prism gasket sleeve
3	31135	Prism
4	43312	Prism gasket
5	31324-Y	Filter yellow
6	43221	Prism pressing bracket
8	L64337	Halogen lamp 48W/6.6A
9	44209	Lamp pressure spring
10	41141	Light body gasket
11	41107	Light fixture gasket
13	941801	Valve
14	HT70603	Secondary cable connector style 6

## Accessories

N°	Order No.	Description
1	SB-08	8" shallow base
2	SB-12	12" shallow base
3	DB-12	12" deep base
4	AR-12/08	12"-8" adapter ring
5	951101	8" lamp holder
6	ITF-065-066	65W isolation transformer
7	REC7	Secondary cable connector style 7



## Weight and Dimensions

	Base	8" shallow base
<b>Packaging size</b>	210x210x130mm <sup>3</sup>	240x240x180mm <sup>3</sup>
<b>Weight</b>	3,1 kg	6,0 kg