

Uses

LED in-pavement aircraft stand manoeuvring guidance light for airports CAT I, II & III, according to ICAO Doc. 9157 Part 4, 12.2.

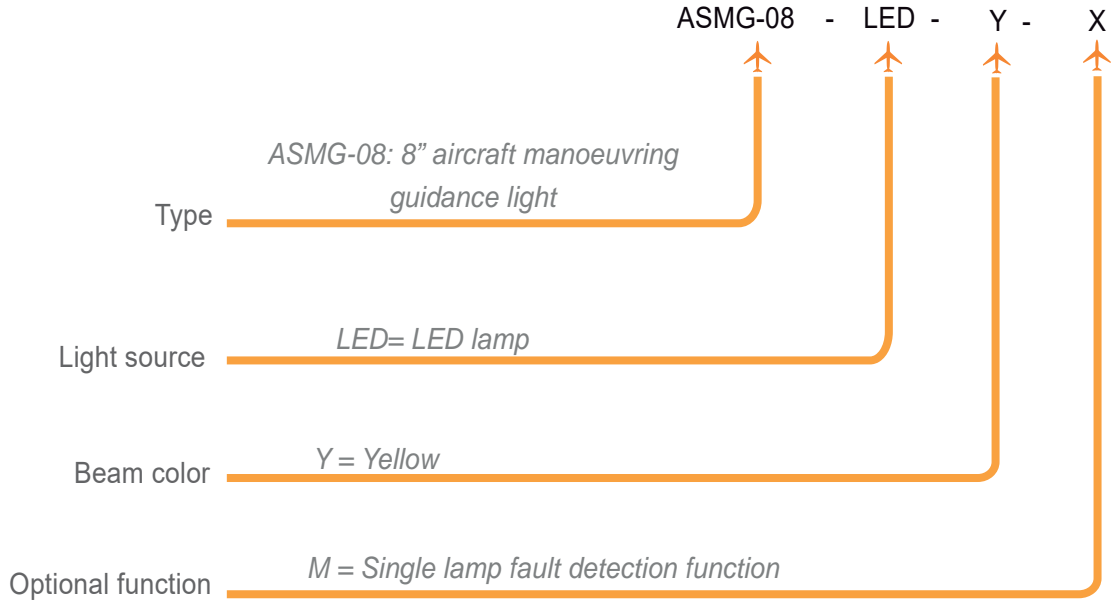
Features

- 8" external diameter, with upper and lower cover manufactured on high strength forged aluminum, and only 6mm of profile over pavement.
- Stainless steel hardware.
- Uni-directional and bi-directional configuration.
- Surface treatment to prevent the wear and increase the corrosion resistance, which makes it especially resistant to dust and water.
- Smooth surface without sharpened edges to avoid damages at the aircraft tyres.
- Regulation according to FAA EB67E equivalent to a halogen lamp.
- Integrated surge protection.
- Efficient control of LEDs operating temperature, increasing the light life and avoid color change.
- High features optical design.
- Compatible with existing circuits of visual aids.

Specifications

- Power: 2.8A ~ 6.6A, according to FAA EB67D.
- Average life: minimum 60.000h at maximum brightness and 100.000h in a normal operating conditions.
- Color: Yellow
- Consumption: 20VA; FP >0,95
- Index Protection: IP68.
- Installation with 15W isolation transformer

Order Code



Installation

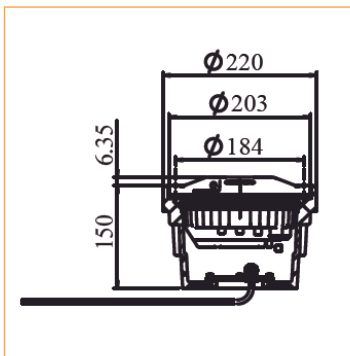


Figure 1
On 8" shallow base

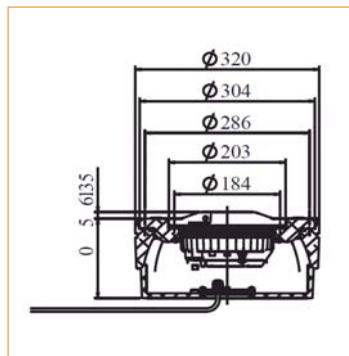


Figure 2
On 12" shallow base with 12"/8" adapter ring

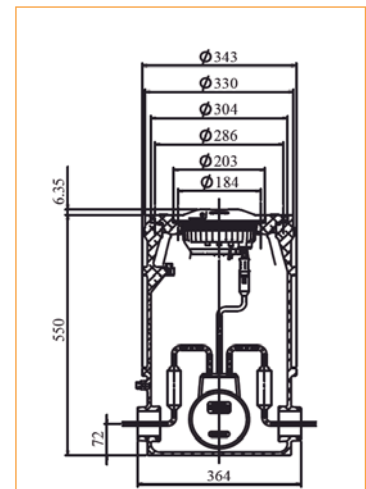
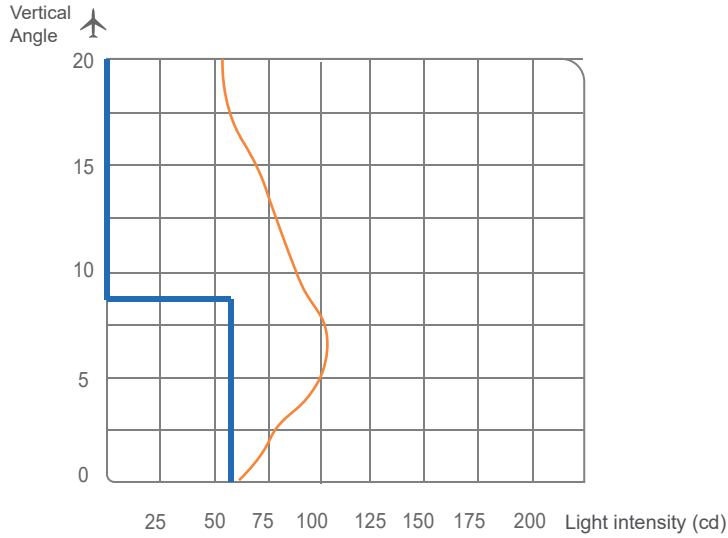


Figure 3
On 12" deep base with 12"/8" adapter ring

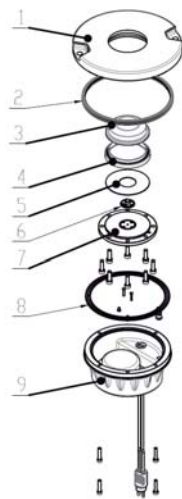
Photometry



ASMG-08-LED, ICAO DOC 9157 Part 4, 12.2, Yellow

Application	Main beam		Color	Required min. avg. cd.	Actual avg. cd.	
	H	V				
ASMG-08-LED	ICAO	360°	1° a 8°	Yellow	60	61

Structure



- 1 Upper cover
- 2 Lighting fixture gasket
- 3 Prism
- 4 Prism gasket sleeve
- 5 Prism gasket
- 6 LED lamp assy
- 7 Prism pressing bracket
- 8 Light body gasket
- 9 Inner cover assy

Spare Parts

N°	Order No.	Description
2	41107	Lighting fixture gasket
3	31113	Prism
4	43115	Prism gasket sleeve
5	43313	Prism gasket
6	979263-Y	LED lamp assy 1P-0 Yellow
7	43217	Prism pressing bracket
8	41141	Light body gasket

Accessories

N°	Order No.	Description
1	SB-08	8" shallow base
2	SB-12	12" shallow base
3	DB-12	12" deep base
4	AR-12/08	12"/8" adapter ring
5	951101	8" lamp handle
6	ITF-015-066	15W isolation transformer
7	REC7	Secondary cable connector style 7



Weight and Dimensions

	Base	8" shallow base
Packaging size	210x210x130mm ³	240x240x180mm ³
Weight	3,5 kg	6,5 kg