




COMPLIANCE:

- ICAO Doc.9157
- FAA AC 150/5345-47
- IEC-TS 61823



BOARDING TIME

BOARDING PASS

GATE CLOSING 30 MINUTES BEFORE DEPARTURE

GAES 454843121451100

GOMINTEC BOARDING PASS GOMINTEC



Uses

Isolating transformers are intended to provide the energy to the visual aids systems from the serial circuits.

Features



- All series of specifications, structure, electrical and other properties meet the requirements of FAA, ICAO and IEC.
- Use international standard plugs and sockets to meet the connecting requirements of FAA standard lamps.
- Made of special rubber and plastic materials, super anti-aging performance, corrosion resistance, kerosene resistance, urea resistance, to ensure long-term stability of high insulation and reliability.
- Use integral injection process to ensure the joint parts of the connector are firmly connected with the body.
- The internal frame is designed to ensure that the primary coil and the secondary coil are fully isolated.
- The use of high quality silicon steel sheet greatly guarantees the electrical performance of the product.
- 15KV high voltage resistance, hot insulation resistance greater than 7500MEG, leakage current less than 2A.
- The earthing resistance is less than 4 Ω. The grounding is reliable and high degree of safety.
- The working temperature is -55°C to +65°C, stable work performance.
- With earthing or non grounding type can be selected by users.
- Special socket / plug protector to ensure plug and socket are free from moisture and dust.

ITF | Isolation Transformer - Airsafe

Order Code

ITF - XXX - 066/066 - X

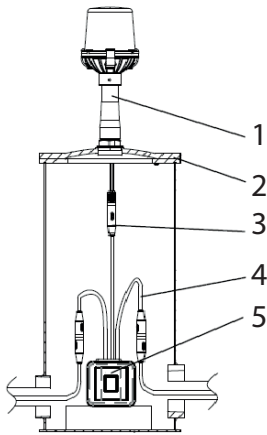
Type *ITF = Isolation Transformer*

Power
 015 = 15W 100 = 100W
 025 = 25W 150 = 150W
 045 = 45W 200 = 200W
 050 = 50W 300 = 300W
 065 = 65W

Current *Input / Output = 6.6A / 6.6A*

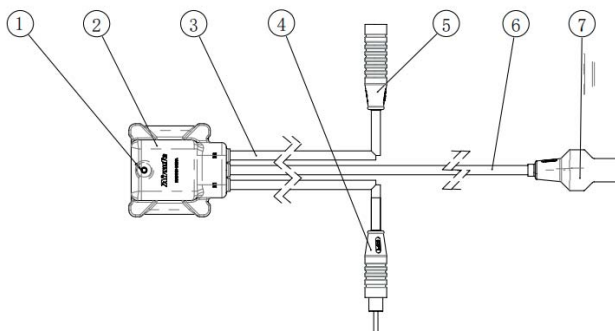
Optional function
E = with earth
N = without earth

Installation



- 1 Light feature
- 2 Deep base
- 3 Secondary cable
- 4 Primary cable
- 5 Isolation transformer

Estructura



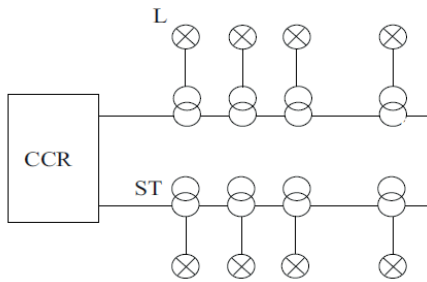
- 1 Ground Nut M5 (Earthing tpe)
- 2 Isolation Transformer body
- 3 Primary plug / socket cable
- 4 Style 2 Primary cable
- 5 Style 9 Primary socket
- 6 Secondary socket cable
- 7 Style 8 Secondary cable

ITF | Isolation Transformer - Airsafe

Technical Data

FAA	Wattage	Primary Amps	Power Factor	Efficiency (Percent)	Voltage	Secondary Full Load Amperes	Secondary Max. Open Circuit Voltage - RMS
L-830/8 31-16	10/15	6.6A	≥ 95%	≥70	5000	6.53 - 6.67	<8
L-830/8 31-17	20/15	6.6A	≥ 95%	≥70	5000	6.53 - 6.67	<8
L-830/8 31-1	30/15	6.6A	≥ 95%	≥70	5000	6.53 - 6.67	<25
N/A	50	6.6A	≥ 95%	≥70	5000	6.53 - 6.67	<25
L-830/8 31-3	65	6.6A	≥ 95%	≥70	5000	6.53 - 6.67	<30
L-830/8 31-4	100	6.6A	≥ 95%	≥70	5000	6.53 - 6.67	<70
L-830/8 31-18	150	6.6A	≥ 95%	≥70	5000	6.53 - 6.67	<70
L-830/8 31-6	200	6.6A	≥ 95%	≥70	5000	6.53 - 6.67	<100
L-830/8 31-10	300	6.6A	≥ 95%	≥70	5000	6.53 - 6.67	<135

Connection Diagram

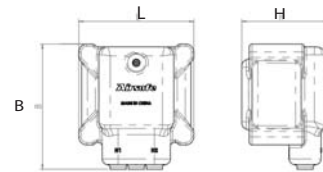


CCR = Constant Current Regulator
 L = Light
 ST = Series Isolation Transformer

Accessories

Order No.	Description
971733	Secondary cable plug style 4
971730	Style 3 Style 10 Combined kit
70206	Secondary cable plug style 6
70206	Secondary cable plug style 2
70906	Secondary cable plug style 9
970001	ITF thermoplastics accessories kit

Dimensions



Type	B (mm)	L (mm)	H (mm)
15W	110	101.2	76
25W	110	101.2	85
45W	126.5	121	90.7
50W	126.5	121	90.7
65W	126.5	121	102.7
100W	134	130	100.7
150W	141.5	139	110.7
200W	157.5	158.2	111
300W	157.5	158.2	131