

AES-061-84-WH | Beacon



COMPLIANCE:

- ICAO Annex 14, Vol I
- ICAO Annex 14, Vol II
- IEC TS 61827

BOARDING TIME

BOARDING PASS

NAME OF PASSANGER

FROM:

TO:

DATE FLIGHT
 GAES2020

GATE SEAT
23 21B

GATE CLOSSES 30 MINUTES BEFORE DEPARTURE

GAES 454843121451100

GOMINTEC

BOARDING PASS

GOMINTEC

Uses

Beacon lights for Heliports.

Features

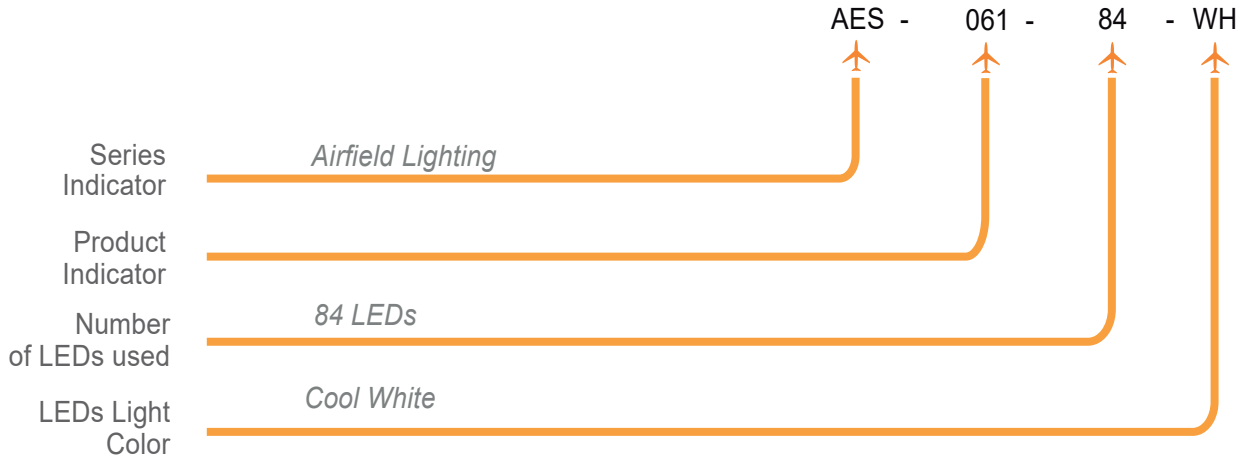
- Designed and built with simplicity and ease of maintenance in mind.
- High power LED technology.
- Lightweight, low-energy and environment friendly lighting fitting.
- Extensive use of aluminium alloys reduces fittings weight and eases handling in the field.
- Stainless steel fasteners.
- Light fixtures are provided with anti condensation valve and UV protected.

Technical Specifications

HOUSING MATERIAL	Powder-coated aluminium
DISPERSER	Clear polycarbonate
CABLE GLAND	Nickel-plated brass
MAIN POWER DRAIN	5.5Wh including the controller
INSTANT MAINS POWER DRAIN	140W including the controller
INSTANT POWER DRAIN	105W from controller

AES-061-84-WH | Beacon

Order Code



Environment

Temperature range: -55°C to +55°C

IP 66

Ka tested: Salt mist in accordance with IEC 60068-2-11 and IEC 60068-2-25



Electrical Connections

1. Controller
2. Beacon pre cabled
3. Flexible cable

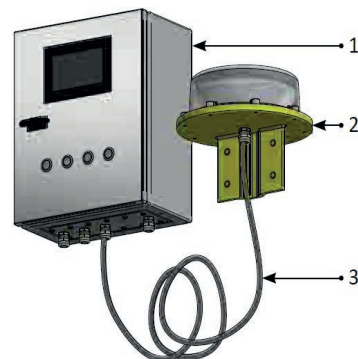
Power directly from controller with 3 core cable

· 230V AC directly from mains power supply

V+ (Red)

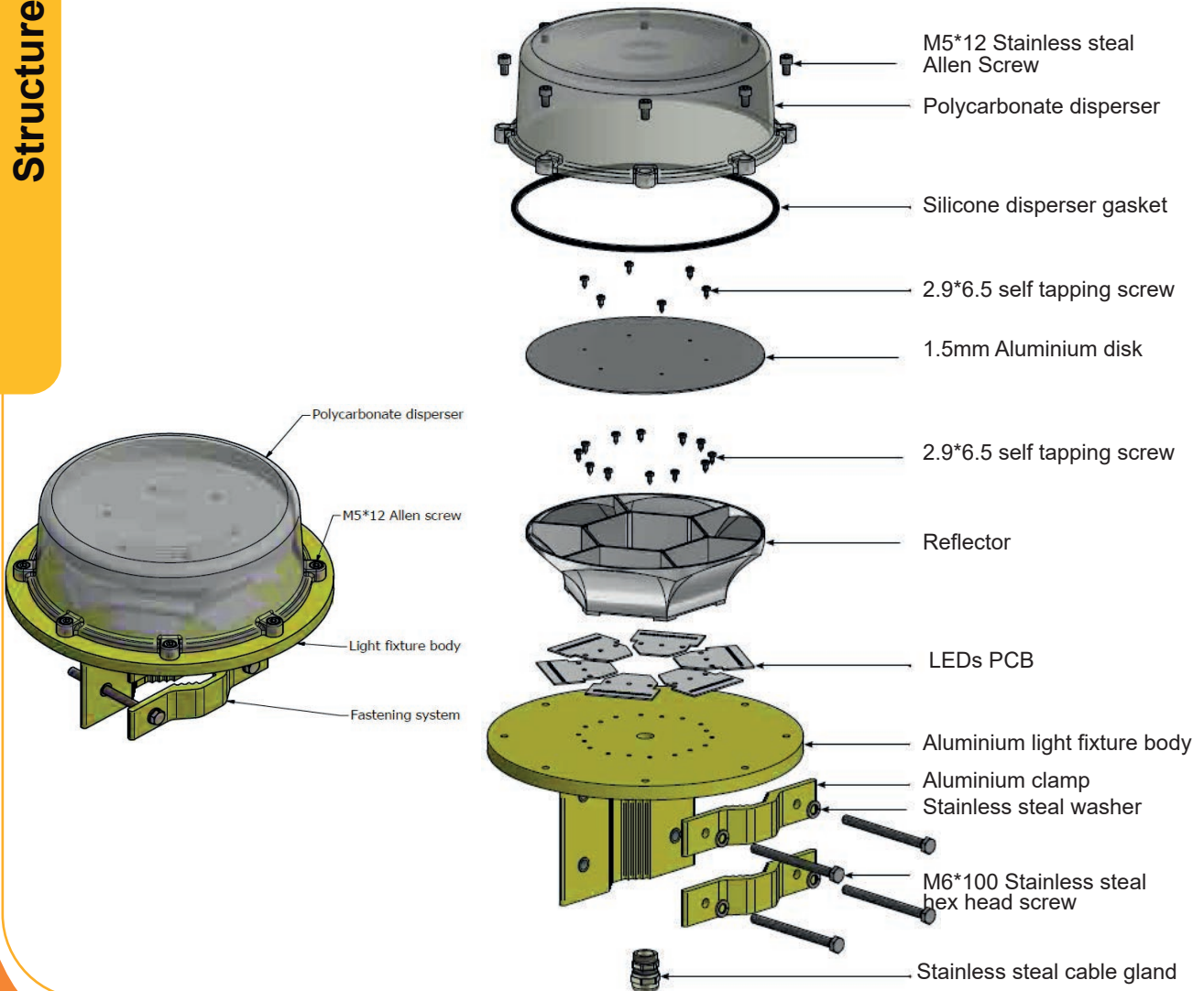
V- (Black)

GND (Green/Yellow)



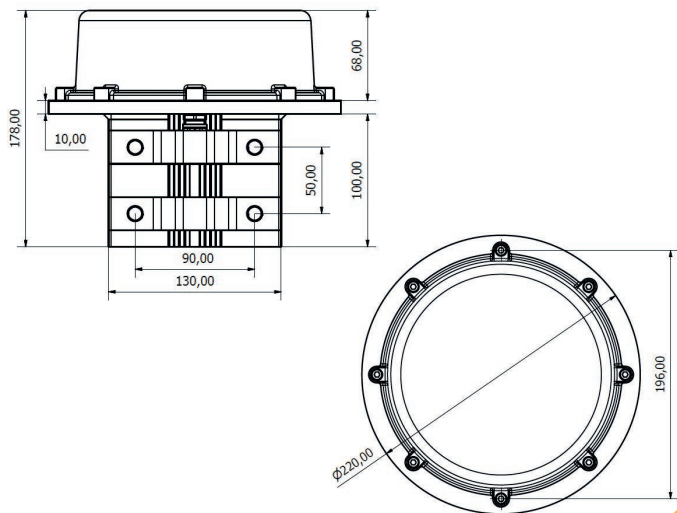
AES-061-84-WH | - Beacon

Structure



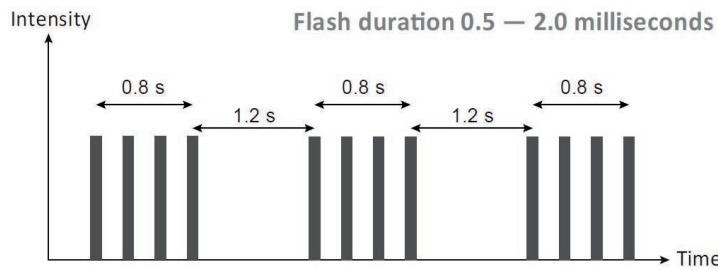
Weight and Dimensions

Diameter	196 mm
Total Height	178 mm
Weight	2.95 kg
Fastening system	from Ø30mm up to Ø80mm pipe



Photometric Characteristics

The heliport beacon emit repeated series of equispaced short duration white flashes.
Light flashing rate: letter H in morse code

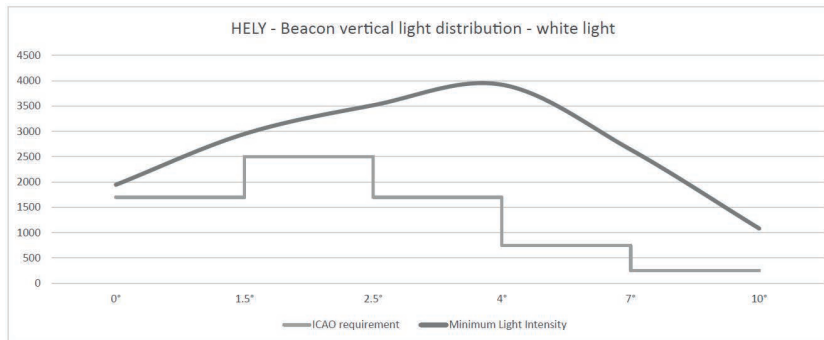


The flash rate timing values complies with **ICAO Annex 14 Vol. II Fig. 5-10**

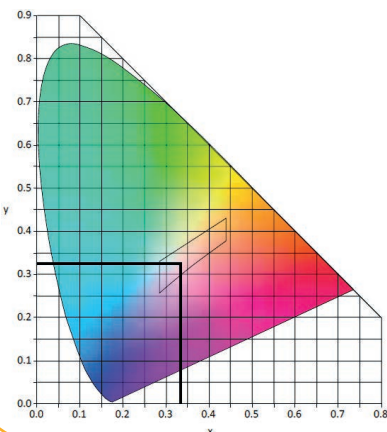
INTENSITY LEVEL	100%, 10%, 3% from controller
HORIZONTAL OUTPUT	360°
LIGHT COLOUR	White light

Vertical elevation angle	0°	1.5°	2.5°	4°	7°	10°
Required minimum intensity (cd)	1700	2500	2500	1700	750	250
Measured minimum intensity (cd)	1947	3951	3517	3922	2642	1083

The brightness intensity values complies with: **ICAO requirements Annex 14 Vol. II Fig. 5-11/1**



The light colour emitted by the light fixture is white, with the trichromatic coordinates:



x=0,327
y=0,338
z=0,335

The measured trichromatic coordinates correspond to colour range requirements in:
ICAO Annex 14 - Aerodromes Vol. I, fig. A1-1-1b
Colours for aeronautical ground lights (solid state lighting)