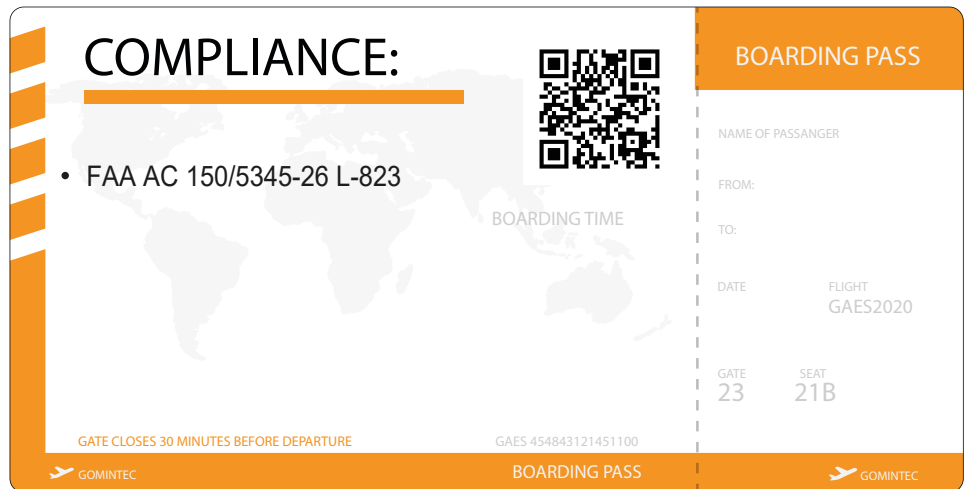


AES-CK | Primary & Secondary Connector Kit



Uses

- Primary connector kits are used for creating a detachable watertight connection between the series airfield lighting cable and the primary winding of the isolating transformer.
- Secondary connector kits are used for creating a detachable watertight connection between the secondary series circuit cables and either the secondary winding of the series transformer or the light.

Primary CKP Features

- Superior insulation resistance by thermoplastic elastomer (TPE)
- Connector kits can be used for screened and unscreened cables.
- Connector kits cover all currently available airfield lighting cables.
- Connectors are resistant to abrasive chemicals and all weather conditions.
- Excellent water tightness.
- Plugs and receptacles can also be factory molded to cables.
- Nominal rating: 25A and 5000V.
- Wire diameter 10 - 18mm
- Conductor size: 6 - 10mm² (8-6AWG)
- Fast to install 7-10 min

AES-CK | Primary & Secondary Connector Kit

- Superior insulation resistance by thermoplastic elastomer (TPE).
- Kits available for different cables diameters.
- Connector kits cover all currently available airfield lighting cables.
- Connectors are resistant to abrasive chemicals and all weather conditions.
- Excellent watertightness.
- Plugs and receptacles can also be factory moulded to cable leads.
- Nominal rating: 20A and 600V.
- Wire diameter 8,5 - 11,5 or 13,5 - 18,0mm
- Conductor size: 1,5 - 6mm² (16-10/8AWG)
- Fast to install 2-3 min

Secondary CKS Features

Primary connectors

For screened / unscreened cables:

	PRIMARY CONNECTOR KIT	
	FOR SCREENED CABLE (AES-CKPS)	FOR UNSCREENED CABLE (AES-CKPU)
GROUNDING WIRE	YES	NO
PLUG	Class B, Type I, Style 3	
PIN	Style 3, Plug	
RECEPTACLE	Class B, Type I, Style 10	
SOCKET	Style 10, Receptacle	

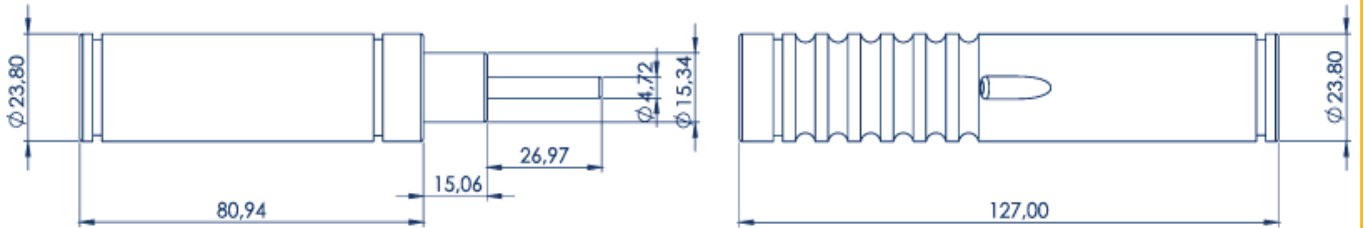
Secondary connectors

AES-CKS1: Two pole connector kits for one two-core cable. Style 4, Style 11.

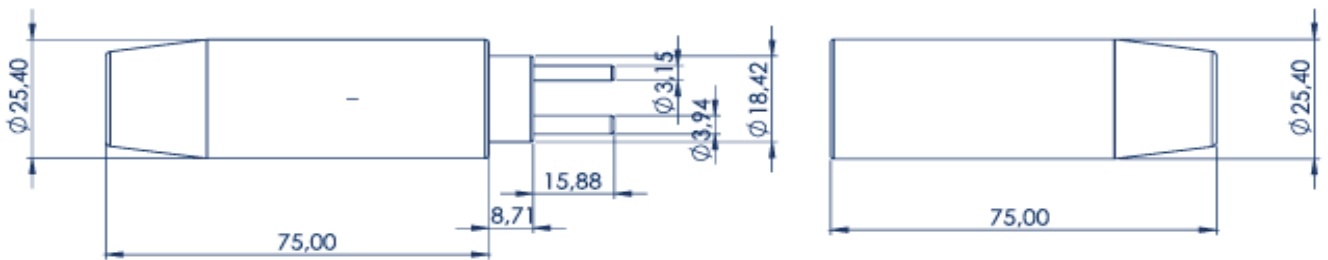
AES-CKS2: Two pole connector kits for two single-core wires. Style 5, Style 12.

AES-CK | Primary & Secondary Connector Kit

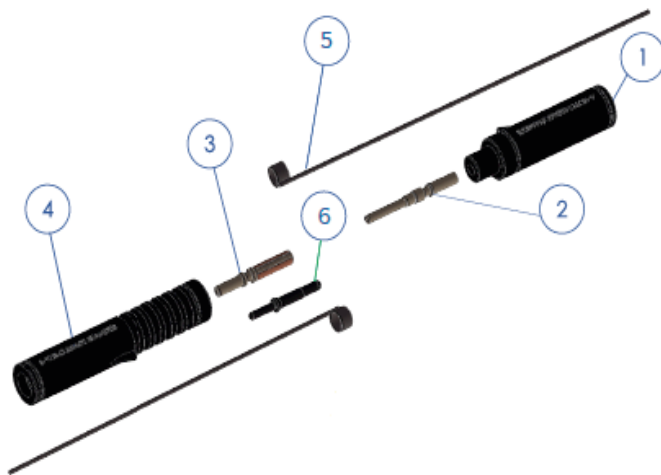
Dimensions- Primary Connector Set



Dimensions- Secondary Connector Set



Primary Structure



- 1 Plug elastomer housing (Male)
- 2 Metal Pin
- 3 Socket
- 4 Plug elastomer housing (Female)
- 5 Ground Strip (x2)
- 6 Guiding pin (plastic)

AES-CK | Primary & Secondary Connector Kit

