



Uses

Approach steady lights.

Features



- Designed and built with simplicity and ease of maintenance in mind.
- High power LED technology.
- Lightweight, low-energy and environment friendly lighting fitting.
- Extensive use of aluminium alloys reduces fittings weight and eases handling in the field.
- Stainless steel fasteners.
- Light fixtures are provided with anti condensation valve.



Technical Specifications

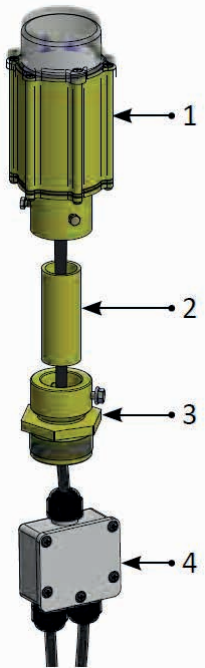
HOUSING MATERIAL	Powder-coated aluminium
LIGHT DIFFUSER	Clear polycarbonate
CASING COLOR	Standard: AVIATION YELLOW (RAL 1004)
POWER SUPPLY	48V DC from controller - dimmable: 100%, 30%, 10%
	90 - 230V, 50/60Hz - non dimmable
POWER CONSUMPTION	1.4A CC - dimmable: 100%, 30%, 10% (internal bypass + SPD)
	18W

AES-056-08-WH | Elevated Approach Steady

Order Code



Electrical Connections



1. Light Fixture pre cable with 0,5m cable
2. Ø 32mm Coupling Tube
3. Frangible Coupling
4. IP 68 Electrical Junction Box

- Code: **AES-056-08-WH**
- Code: **AES-100-AX**
- Code: **AES-101-AX**
- Code: **AES-107-AX**

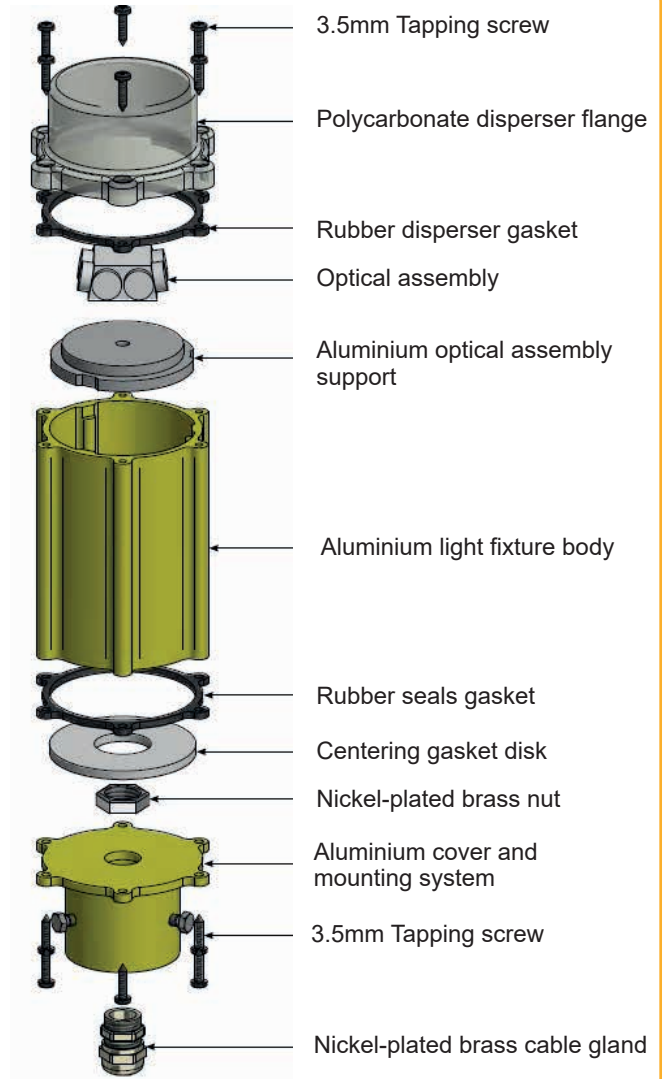
Types of power supply:

- 48V DC power supply from controller with 3 core cable
 - V+** (brown)
 - V-** (blue)
 - Dimming** (green/yellow)
- 230V AC directly from mains power supply
 - Live** (brown)
 - Neutral** (blue)
 - Ground** (green/yellow)
- 1.4A CC power supply from controller with 2 core cable
 - V+** (red mark)
 - V-** (blue mark)

AES-056-08-WH | Elevated Approach Steady

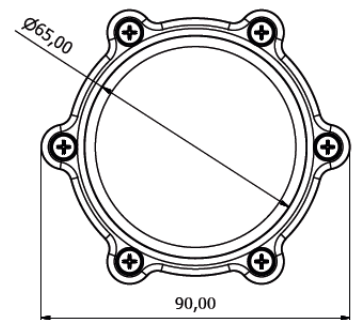
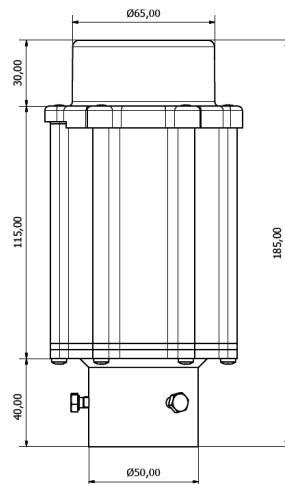


Structure



Weight and Dimensions

Diameter	65mm
Total height	185 mm
Weight	1 kg

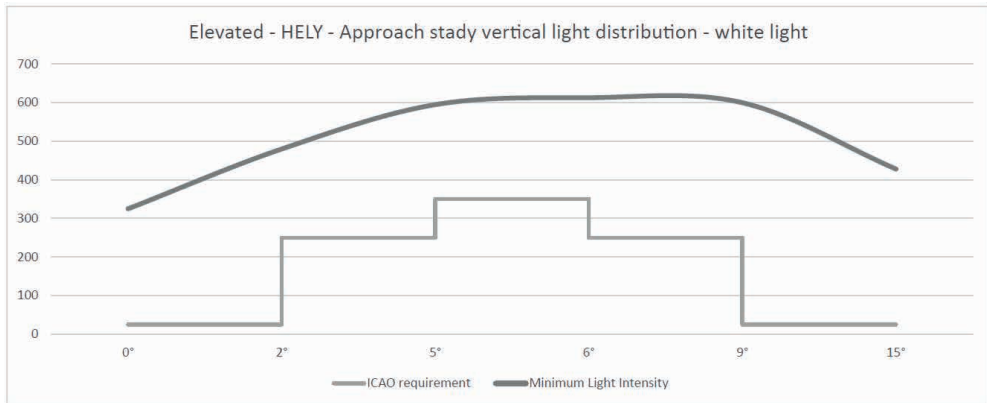


Photometric Characteristics

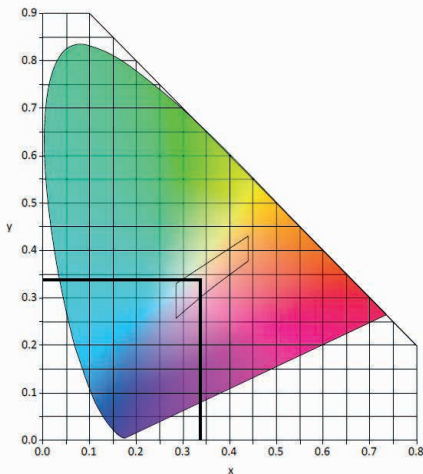
INTENSITY LEVEL	100%, 30%, 10% versions powered in 48V DC or 1.4A CC
HORIZONTAL OUTPUT	360°
LIGHT COLOUR	White light

Vertical elevation angle	0°	2°	5°	6°	9°	15°
Required minimum intensity (cd)	25	250	350	350	250	25
Measured minimum intensity (cd)	325	480	595	613	600	428

The brightness intensity values complies with: ICAO requirements Annex 14 Vol. II Fig. 5-11/2



The light colour emitted by the light fixture is white, with the trichromatic coordinates:









x=0,340
y=0,344
z=0,316

The measured trichromatic coordinates correspond to colour range requirements in:
ICAO Annex 14 - Aerodromes Vol. I, fig. A1-1-1b
Colours for aeronautical ground lights (solid state lighting)

AES-056-08-WH | - Elevated Approach Steady

Spare Parts

Product Code	Description	Image
AES-100-AX	Ø32mm Coupling Tube	
AES-101-AX	Frangible Coupling	
AES-102-AX	Ø 260mm Base Plate	
AES-103-AX	Mounting Flange	
AES-104-AX	Standard Ø160mm Shallow Base	
AES-105-AX	Adapter ring for 8" Shallow Base	
AES-106-AX	Ø160mm Surface Mounted Base	
AES-107-AX	IP68 Electrical Junction Box	
AES-108-AX	Ø160mm Shallow Base Installation Jig	