

**AES-036-04-WH | Elevated FATO**



**Uses**

Aiming point and FATO lights (Final Approach and Take Off Area)

**Features**

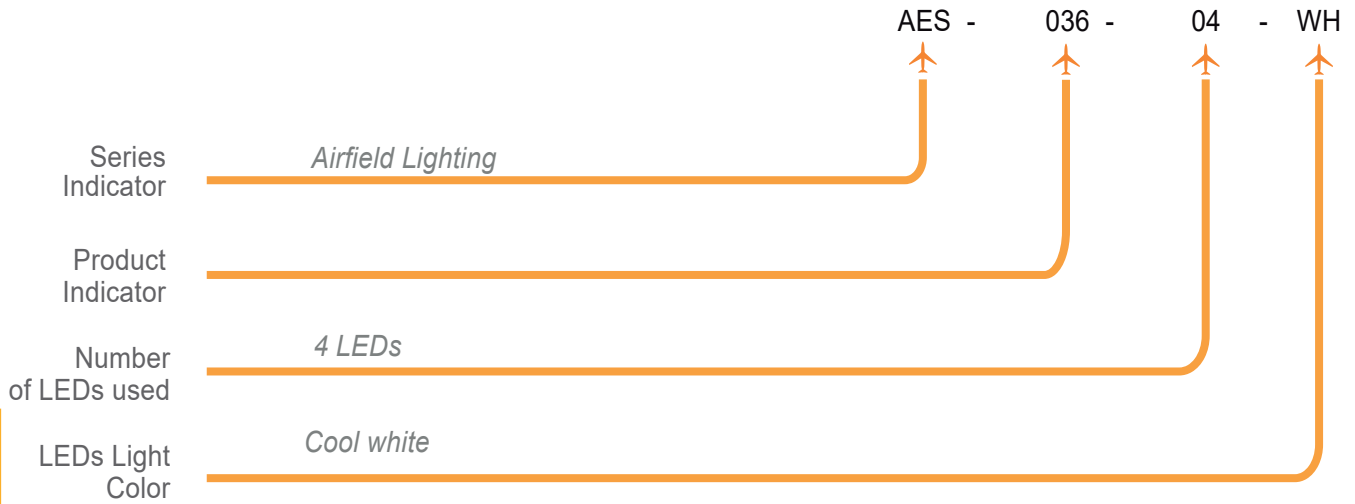
- Designed and built with simplicity and ease of maintenance in mind.
- High power LED technology.
- Lightweight, low-energy and environment friendly lighting fitting.
- Extensive use of aluminium alloys reduces fittings weight and eases handling in the field.
- Stainless steel fasteners.
- Light fixtures are provided with anti condensation valve.

**Technical Specifications**

HOUSING MATERIAL	Powder-coated aluminium
LIGHT DIFFUSER	Clear polycarbonate
CASING COLOR	Standard: AVIATION YELLOW (RAL 1004)
POWER SUPPLY	48V DC from controller - dimmable: 100%, 30%, 10% 90 - 230V, 50/60Hz - non dimmable 1.4A CC - dimmable: 100%, 30%, 10% (internal bypass + SPD)
POWER CONSUMPTION	9W

**AES-036-04-WH | Elevated FATO**

**Order Code**



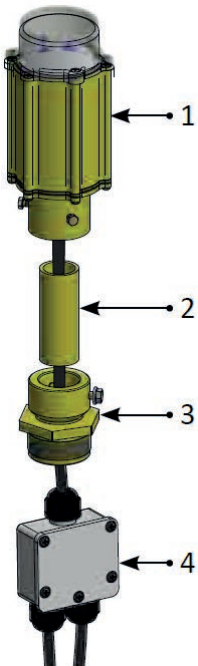
**Environment**

Temperature range: -55°C to +55°C

IP X8

Ka tested: Salt mist in accordance with IEC 60068-2-11 and IEC 60068-2-25

**Electrical Connections**



1. Light Fixture pre cable with 0,5m cable
2. Ø 32mm Coupling Tube
3. Frangible Coupling
4. IP 68 Electrical Junction Box

**Types of power supply:**

- 48V DC power supply from controller with 3 core cable
  - V+** (brown)
  - V-** (blue)
  - Dimming** (green/yellow)
- 230V AC directly from mains power supply
  - Live** (brown)
  - Neutral** (blue)
  - Ground** (green/yellow)
- 1.4A CC power supply from controller with 2 core cable
  - V+** (red mark)
  - V-** (blue mark)

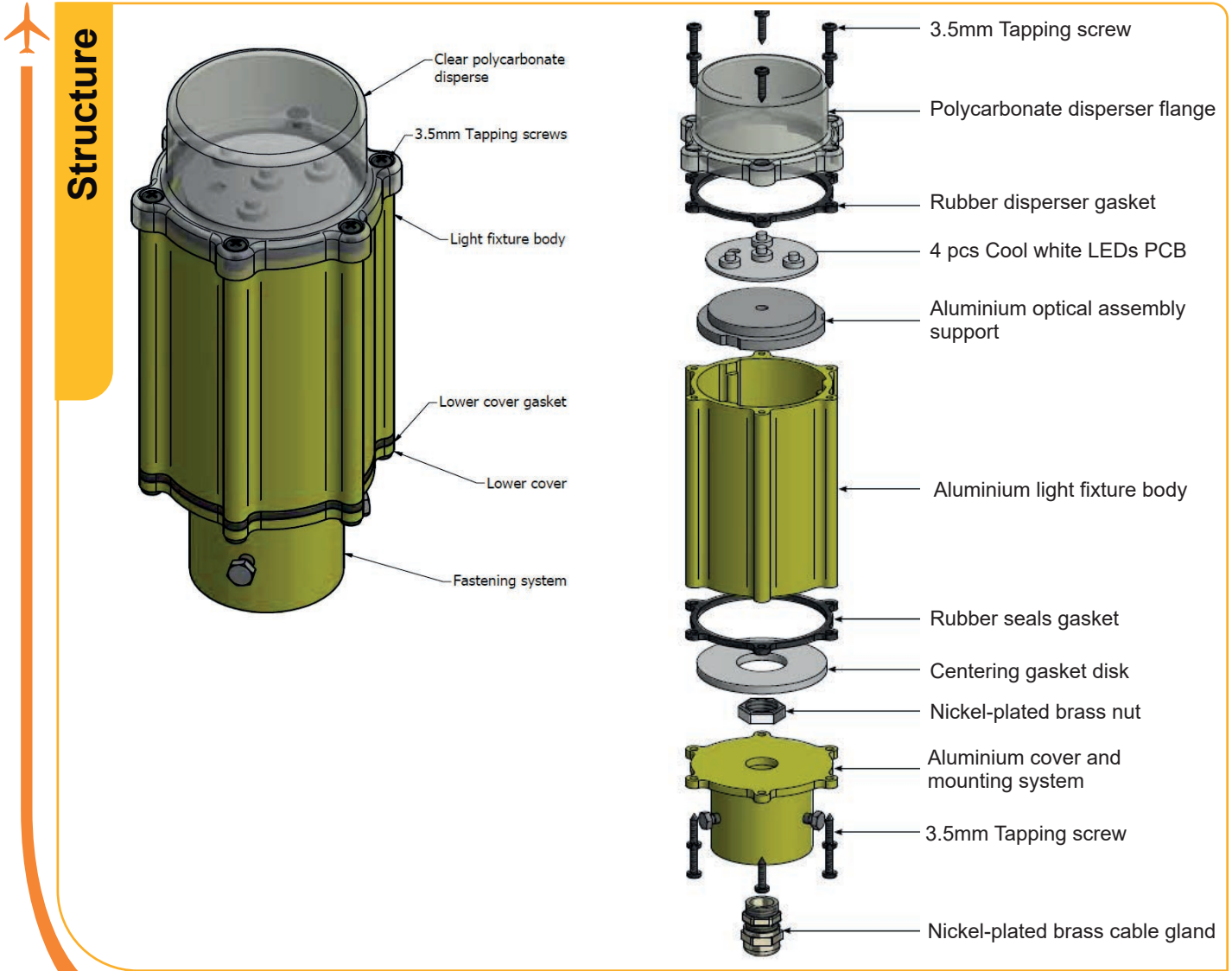
**Code: AES-036-04-WH**

**Code: AES-100-AX**

**Code: AES-101-AX**

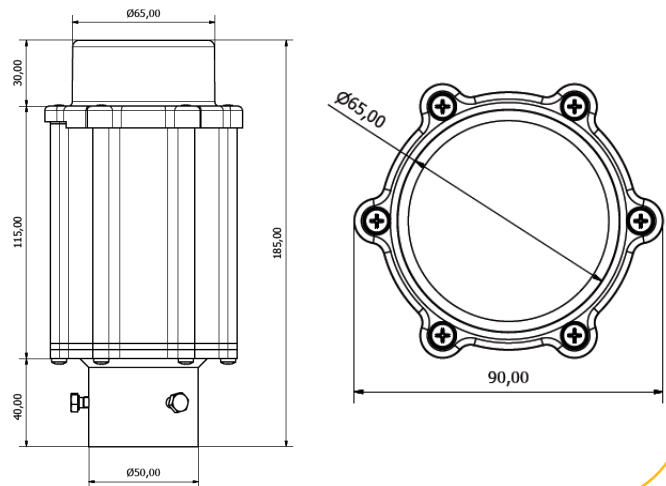
**Code: AES-107-AX**

**AES-036-04-WH | Elevated FATO**



**Weight and Dimensions**

<b>Diameter</b>	65mm
<b>Total height</b>	185 mm
<b>Weight</b>	1 kg

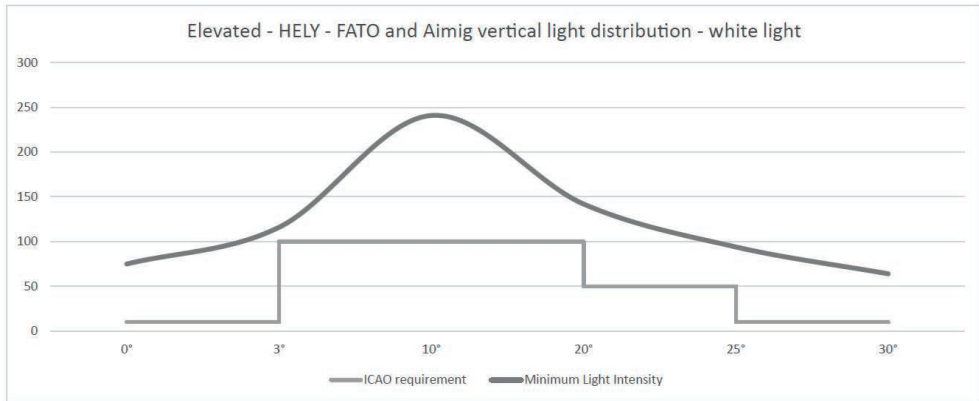


**Photometric Characteristics**

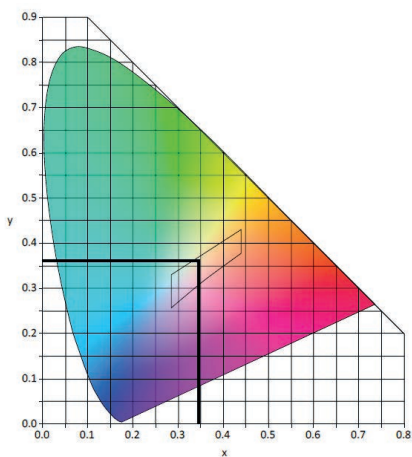
INTENSITY LEVEL	100%, 30%, 10% versions powered in 48V DC or 1.4A CC
HORIZONTAL OUTPUT	360°
LIGHT COLOUR	White light

Vertical elevation angle	0°	3°	10°	20°	25°	30°
Required minimum intensity (cd)	10	100	100	100	50	10
Measured minimum intensity (cd)	75	116	241	142	94	64

The brightness intensity values complies with: ICAO requirements Annex 14 Vol. II Fig. 5-11/6



The light colour emitted by the light fixture is white, with the trichromatic coordinates:



x=0,348  
y=0,360  
z=0,292

The measured trichromatic coordinates correspond to colour range requirements in:  
ICAO Annex 14 - Aerodromes Vol. I, fig. A1-1-1b  
Colours for aeronautical ground lights (solid state lighting)

**AES-036-04-WH** | - Elevated FATO**Spare Parts**

Product Code	Description	Image
AES-100-AX	Ø32mm Coupling Tube	
AES-101-AX	Frangible Coupling	
AES-102-AX	Ø 260mm Base Plate	
AES-103-AX	Mounting Flange	
AES-104-AX	Standard Ø160mm Shallow Base	
AES-105-AX	Adapter ring for 8" Shallow Base	
AES-106-AX	Ø160mm Surface Mounted Base	
AES-107-AX	IP68 Electrical Junction Box	
AES-108-AX	Ø160mm Shallow Base Installation Jig	