

AES-073-03-GR-F | Flat TLOF light



COMPLIANCE:

- ICAO Annex 14, Vol I
- ICAO Annex 14, Vol II
- IEC TS 61827



BOARDING TIME

BOARDING PASS

NAME OF PASSANGER

FROM:

TO:

DATE FLIGHT
 GAES2020

GATE SEAT
23 21B

GATE CLOSSES 30 MINUTES BEFORE DEPARTURE

GAES 454843121451100

BOARDING PASS

Uses

TLOF lights (Touchdown and Take Off Area Perimeter)

Features

- Designed and built with simplicity and ease of maintenance in mind.
- High power LED technology.
- Lightweight, low-energy and environment friendly lighting fitting.
- Extensive use of aluminium alloys reduces fittings weight and eases handling in the field.
- Stainless steel fasteners.
- Light fixtures are provided with anti condensation valve and UV protected.

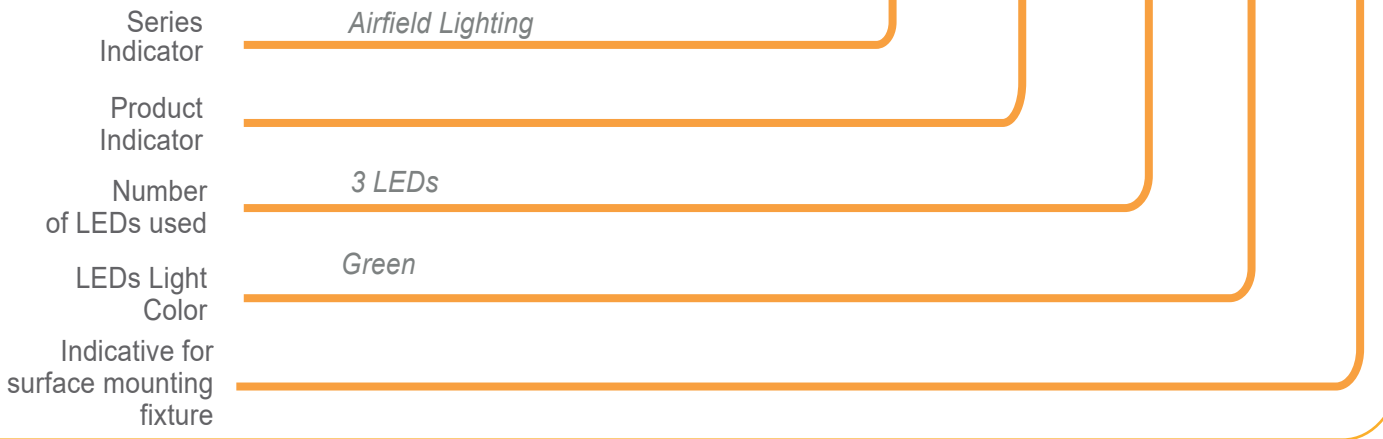
Technical Specifications

HOUSING MATERIAL	Powder-coated aluminium
DISPERSER	Hardened glass
DISPERSER FLANGE	Nickel-plated ring
CABLE GLAND	Nickel-plated brass
CASING COLOR	Standard: AVIATION YELLOW (RAL 1004)
POWER SUPPLY	48V DC from controller - dimmable: 100%, 30%, 10% 90 - 230V, 50/60Hz - non dimmable
POWER CONSUMPTION	6W

AES-073-03-GR-F | Flat TLOF light

Order Code

AES - 073 - 03 - GR - F



Environment

Temperature range: -55°C to +55°C

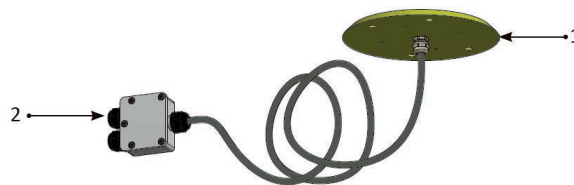
IP 68

Ka tested: Salt mist in accordance with IEC 60068-2-11 and IEC 60068-2-25



Electrical Connections

1. Light Fixture pre cabled
2. IP 68 Electrical Junction Box



Code: AES-073-03-GR-F

Code: AES-107-AX

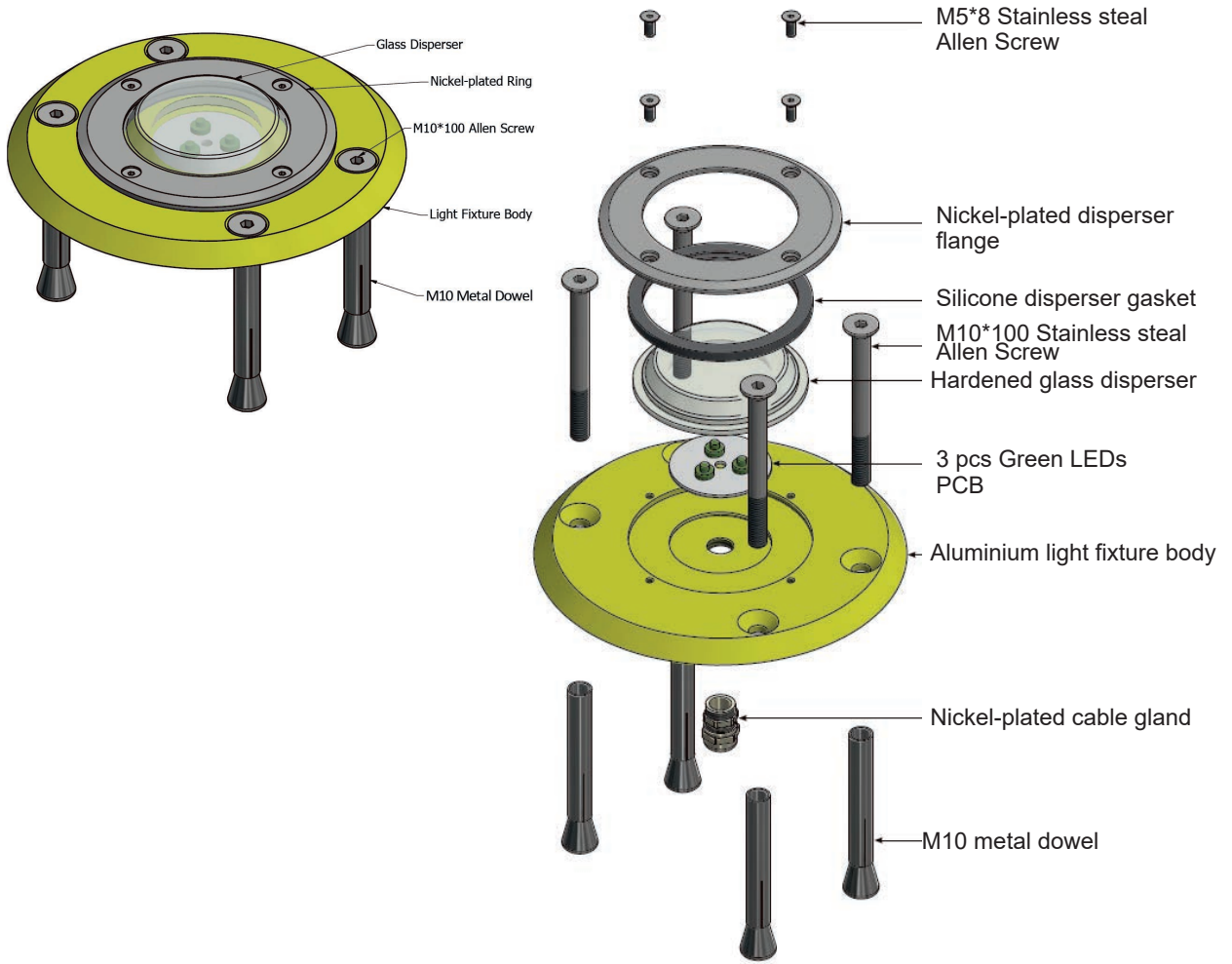
Types of power supply:

- 48V DC power supply from controller with 3 core cable
 - V+** (brown)
 - V-** (blue)
 - Dimming** (green/yellow)
- 230V AC directly from mains power supply
 - Live** (brown)
 - Neutral** (blue)
 - Ground** (green/yellow)

The light fixtures will be provided with sufficient length cable, which will be laid through a channel outside the heliport area, where it will be electrically connected using an IP65-rated junction box.

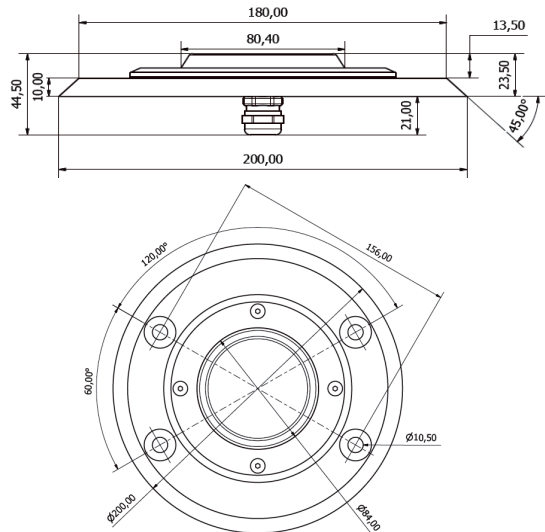
AES-073-03-GR-F | Flat TLOF light

Structure



Weight and Dimensions

Diameter	200mm
Height	23.5mm without cable gland; 44.5mm with cable gland;
Weight	1.5 kg

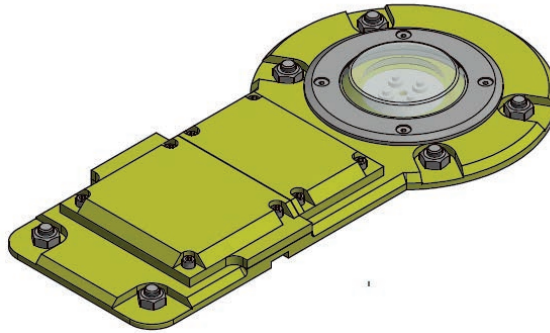


AES-073-03-GR-F | Flat TLOF light

Optional

Constructive variant for metal platforms

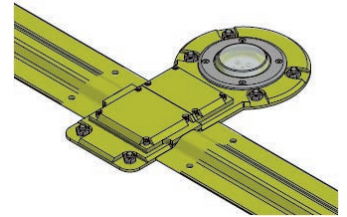
Product code AES - 073 - 03 - GR - FD



Power Supply:

- 48V DC power supply from controller with 3 core cable
- 230V AC directly from mains power supply

The power cable will be protected by an aluminium profile with a weight of 2.2Kg/m

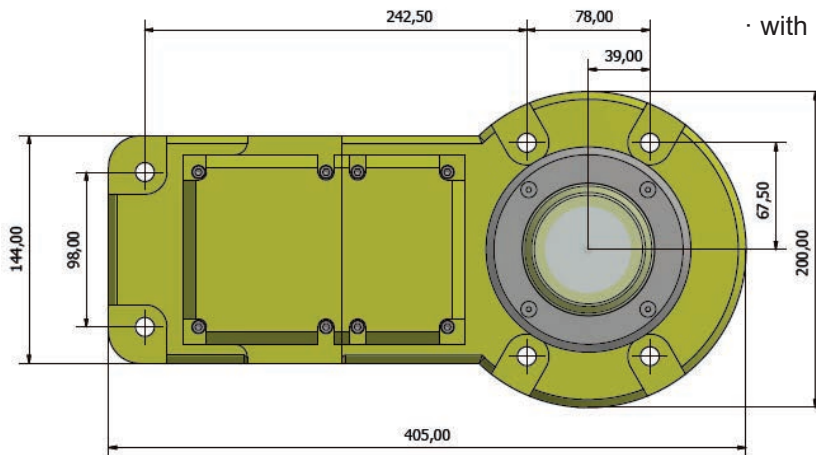


Mechanical Characteristics

Length / Width	405mm / 200mm
Height	23.5mm
Weight	2.5 kg

Installation of lighting fixture and cable protection:

- with M10 welded bolts on the metallic platform
- with M10 threaded holes in the metal platform

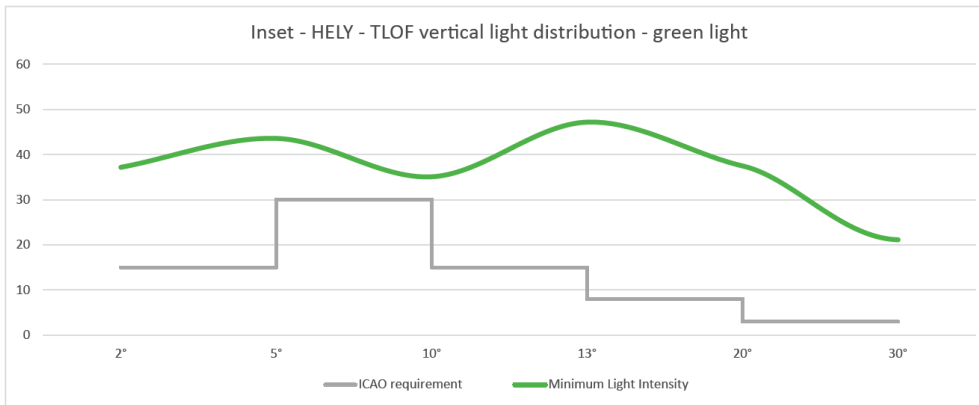


Photometric Characteristics

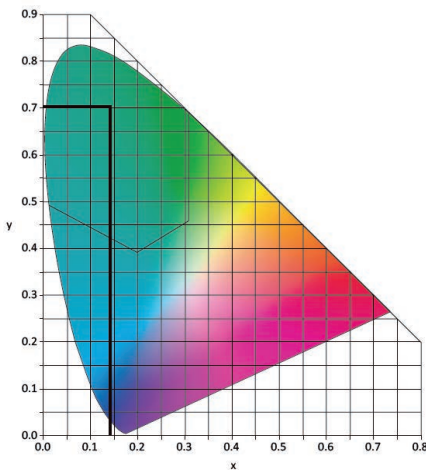
INTENSITY LEVEL	100%, 30%, 10% with controller in 48V DC
HORIZONTAL OUTPUT	360°
LIGHT COLOUR	Green light

Vertical elevation angle	2° - 5°	5°-10°	10° - 13°	13°-20°	20° - 90°
Required minimum intensity (cd)	15	30	15	8	3
Measured minimum intensity (cd)	37.2	43.6	35	47.2	37.5

The brightness intensity values complies with: ICAO requirements Annex 14 Vol. II Fig. 5-11/6



The light colour emitted by the light fixture is green, with the trichromatic coordinates:



x=0,145
y=0,701
z=0,154

The measured trichromatic coordinates correspond to colour range requirements in:
ICAO Annex 14 - Aerodromes Vol. I, fig. A1-1-1b
Colours for aeronautical ground lights (solid state lighting)