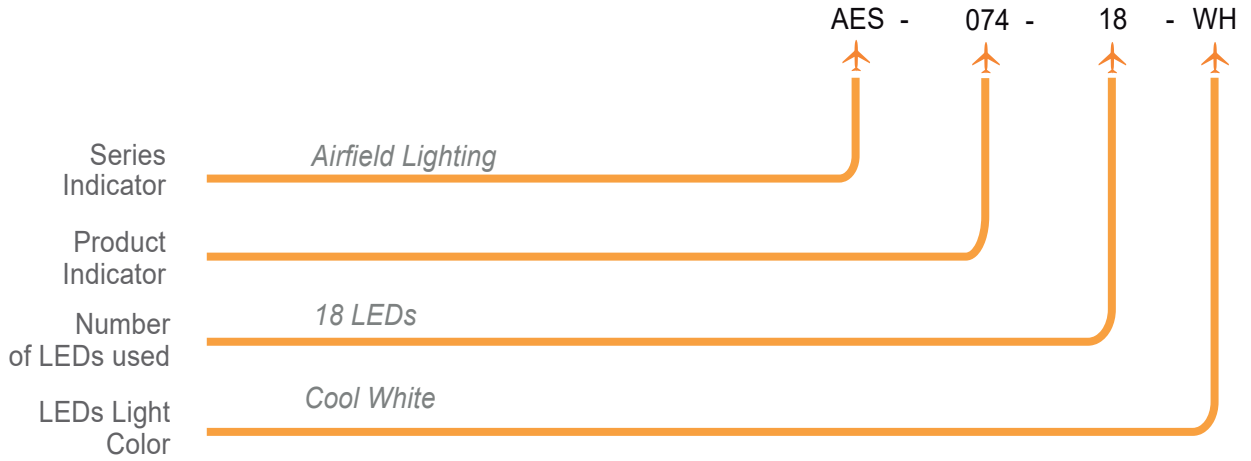




**AES-074-18-WH | Floodlight 60W**

**Order Code**



**Environment**

Temperature range: -55°C to +55°C

IP 66

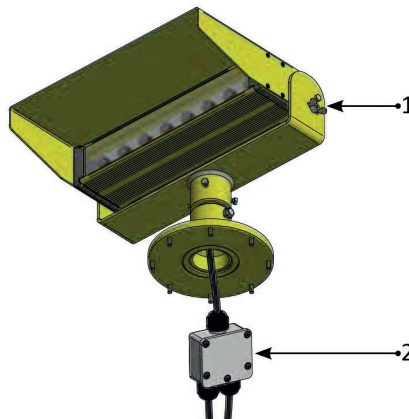
Ka tested: Salt mist in accordance with IEC 60068-2-11 and IEC 60068-2-25

**Electrical Connections**

1. Light Fixture pre cabled with 0,5m cable
2. IP 68 Electrical Junction Box

Code: AES-074-18-WH

Code: AES-107-AX



**Types of power supply:**

- 230V AC directly from mains power supply

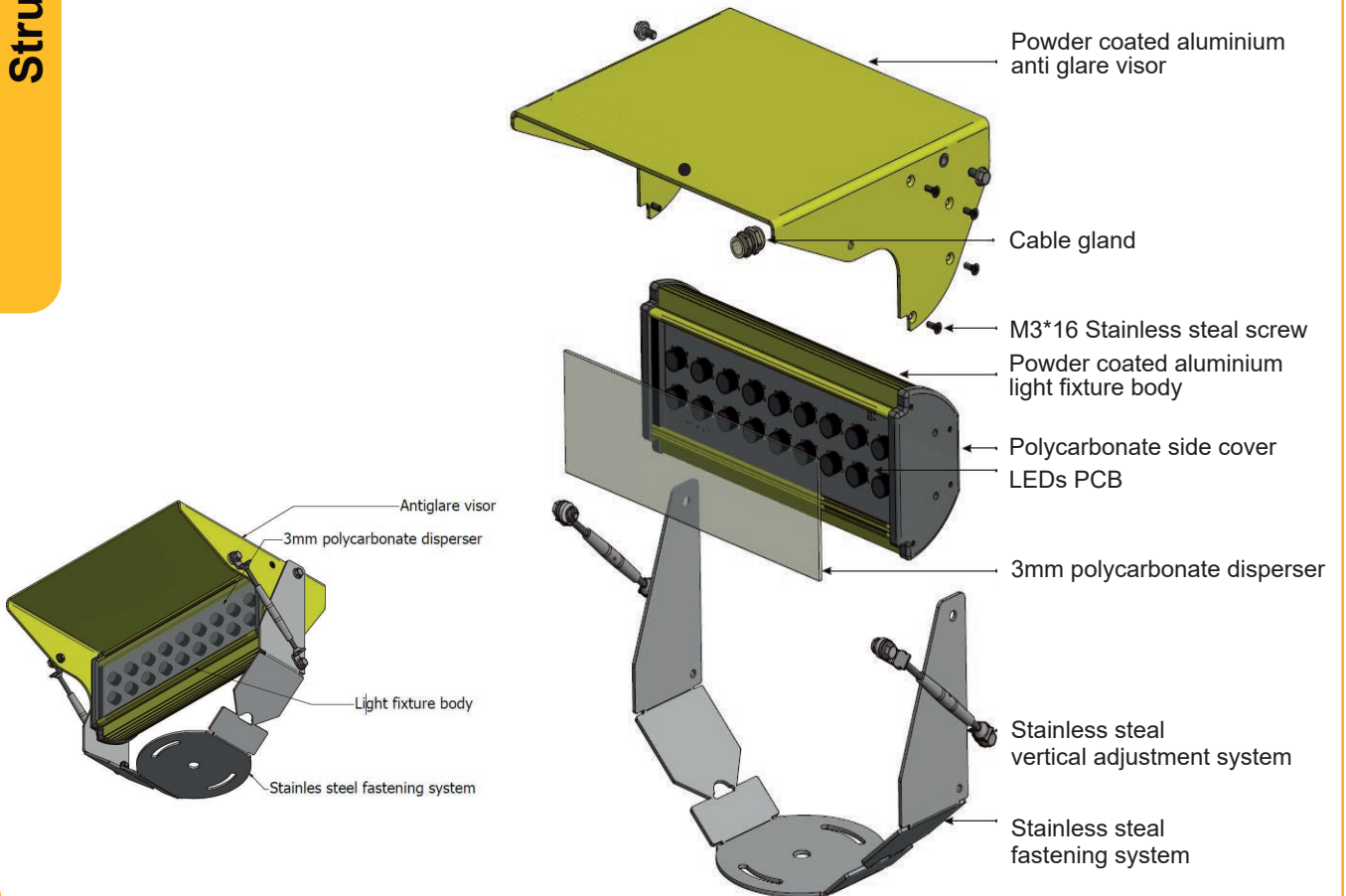
**Live** (brown)

**Neutral** (blue)

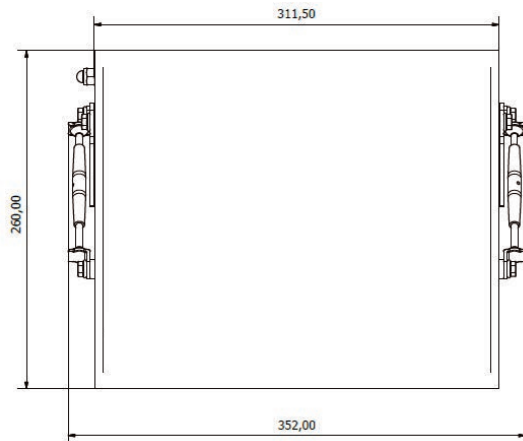
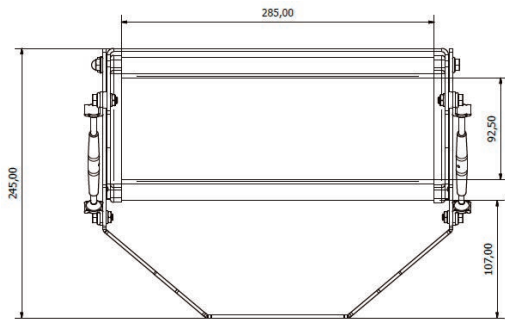
**Ground** (green/yellow)

**AES-074-18-WH | Floodlight 60W**

**Structure**



**Weight and Dimensions**



**Dimensions** 352 x 260 x 245mm

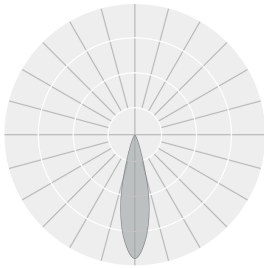
**Weight** 4.25 kg

**AES-074-18-WH | Floodlight 60W**

**Photometric Characteristics**

INTENSITY LEVEL	100%, 30%, 10% with controller
LIGHT COLOUR	Cool White

Luminous efficacy of white LEDs is - minimum 145 lm/W for cool white

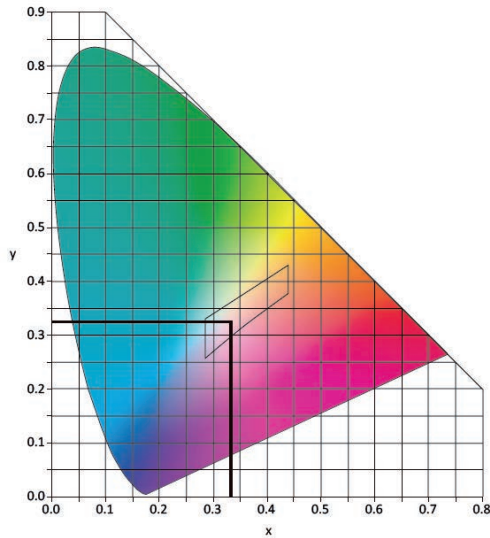


Fixture luminous flux	6658 lm
Fixture luminous efficacy	116 lm/W
Optical distribution	symmetrical
Optics viewing angle	23°

On demand other types of optics can be used




**CAUTION:** Before ordering we recommended a simulation of the photometric parameters.

The light colour emitted by the light fixture is white, with the trichromatic coordinates:



x=0,327  
y=0,338  
z=0,335

**AES-074-18-WH | Floodlight 60W****Spare Parts**

Product Code	Description	Image
AES-104-AX	Standard Ø160mm Shallow Base	
AES-105-AX	Adapter ring for 8" Shallow Base	
AES-107-AX	IP68 Electrical Junction Box	
AES-108-AX	Ø160mm Shallow Base Installation Jig	