

AES-OBS-12 | Medium Intensity Obstruction Light TYPE A



COMPLIANCE:

- ICAO Annex 14, Vol I
- FAA AC 150/5345-43 L-865
- EASA CS-ADR-DSN

BOARDING TIME

BOARDING PASS

NAME OF PASSANGER

FROM:

TO:

DATE

GATE 23

FLIGHT GAES2020

SEAT 21B

GATE CLOSSES 30 MINUTES BEFORE DEPARTURE

GAES 454843121451100

BOARDING PASS

Uses

Marking of aerial obstacles, such as: towers, buildings, antennas, for airports CAT I, II y III, compliance to ICAO Fig A1-1-1B.

Features

- Designed and built with simplicity and ease of maintenance in mind.
- High power LED technology
- Lightweight, low-energy and environment friendly lighting fitting.
- Extensive use of aluminium alloys reduces fitting weight and eases handling in the field.
- Housing made with powder-coated aluminium, RAL 1004, aviation yellow color. Clear polycarbonate disperser.
- Light fixtures are provided with anti condensation valve.
- Stainless steel fasteners and nickel-plated brass cable gland.

Specifications

- Index Protection: IP 67
- Temperature range: -55° to +55°C

	Type A
Max. power	220W
Max. power consumption	110Wh
Power supply	100 - 230V AC 48V DC; 24V DC; 12V DC

AES-OBS-12 | Medium Intensity Obstruction Light TYPE A

Order Code

AES - OBS - 12 - XXX

Type *AL = Series Indicator (Airfield Lighting)*

Category *Obstruction lighting*

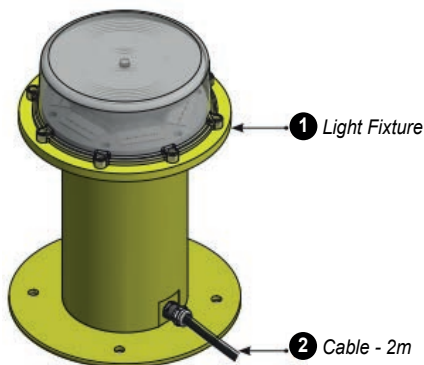
Product Indicator

- 12 - Medium Intensity Obstruction Lighting type A Single
- 13 - Medium Intensity Obstruction Lighting type B Single
- 14 - Medium Intensity Obstruction Lighting type C Single
- 15 - Medium Intensity Obstruction Lighting type A/C Double
- 20 - Medium Intensity Obstruction Lighting type B Double (Twin)
- 21 - Medium Intensity Obstruction Lighting type C Double (Twin)

Power Supply

- 230 = Power supply: 100 - 230V AC
- 048 = Power supply: 48V DC
- 024 = Power supply: 24V DC
- 012 = Power supply: 12V DC

Electrical Connections

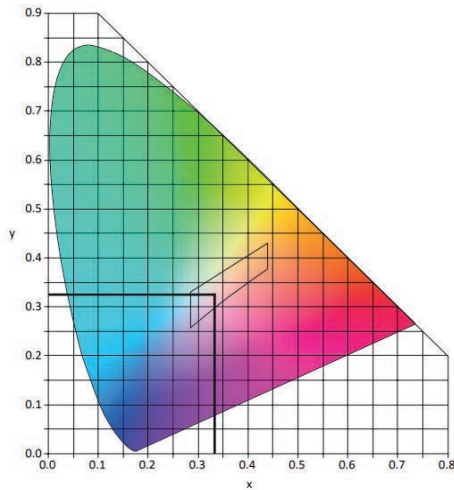


Types of power supply:

- Medium intensity obstruction light - Simple:
 - 230V AC** power supply - 3 core cable
 - 12V DC** power supply - 2 core cable
 - 24V DC** power supply - 2 core cable
 - 48V DC** power supply - 2 core cable

Photometry

White light colour emitted by the light fixture,
with the trichromatic coordinates:



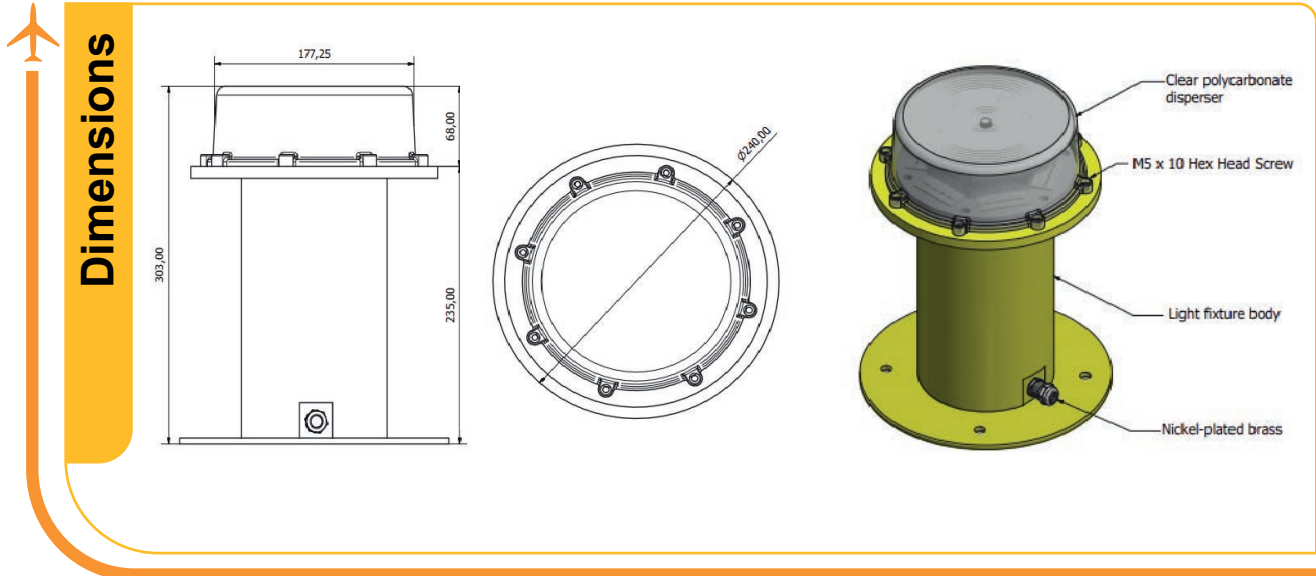
x=0,327
y=0,338
z=0,335

The measured trichromatic coordinates correspond to colour range requirements in:
ICAO Annex 14 - Aerodromes Vol. I, fig. A1-1-1b. Colours for aeronautical ground lights
(solid state lighting)

AES - Medium Intensity Obstruction Lighting Configuration

	Type A
CODE	AES-OBS-12-XXX
LIGHT COLOR	WHITE
SIGNAL TYPE	FLASHING
VERTICAL BEA, SPREAD	3°
PEAK INTENSITY	20000cd ±25%
LEDs NUMBER	60
TWILIGHT SENSOR	Yes

AES-OBS-12 | Medium Intensity Obstruction Light TYPE A



Weight and Dimensions	
• <i>Max. Diameter</i>	240mm
• <i>Total height</i>	303mm
• <i>Max. Weight</i>	6.4 kg