

**AES-OBS-20 | Medium Intensity Obstruction Light TYPE B DOUBLE**



Horizontal flat surface

### COMPLIANCE:

- ICAO Annex 14, Vol I
- FAA AC 150/5345-43 L-864
- EASA CS-ADR-DSN

BOARDING TIME

**BOARDING PASS**

GATE CLOSES 30 MINUTES BEFORE DEPARTURE

GAES 454843121451100

NAME OF PASSANGER FROM: TO: DATE GATE 23	FLIGHT GAES2020 SEAT 21B
--	-----------------------------

GOMINTEC
BOARDING PASS
GOMINTEC

**Uses**

Marking of aerial obstacles, such as: towers, buildings, antennas, for airports CAT I, II y III, compliance to ICAO Fig A1-1-1B.

**Features**

- The light fixtures are equipped with two independent LED circuits, light sensor, monitoring system redundancy and alarm. The fixtures can work as stand alone but when there are a group of fixtures it is recommended that these light fixtures to be used with a controller. Light fixtures are provided with anti condensation valve.
- Designed and built with simplicity and ease of maintenance in mind.
- High power LED technology
- Lightweight, low-energy and environment friendly lighting fitting.
- Extensive use of aluminium alloys reduces fitting weight and eases handling in the field.
- Housing made with powder-coated aluminium, RAL 1004 (aviation yellow color) and RAL 9006 (grey).
- Clear polycarbonate disperser.
- Stainless steel fasteners and nickel-plated brass cable gland.

**Specifications**

- Index Protection: IP 67
- Temperature range: -55° to +55°C

	Type B Double
Max. power	35W
Max. power consumption	15Wh
Power supply	100 - 230V AC 48V DC; 24V DC; 12V DC or controller

**AES-OBS-20 | Medium Intensity Obstruction Light TYPE B DOUBLE**

**Order Code**

AES - OBS - 20 - XXX

Type

AES = Series Indicator (Airfield Lighting)

Category

Obstruction lighting

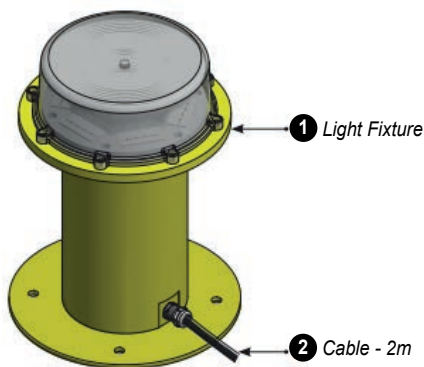
Product Indicator

- 12 - Medium Intensity Obstruction Lighting type A Single
- 13 - Medium Intensity Obstruction Lighting type B Single
- 14 - Medium Intensity Obstruction Lighting type C Single
- 15 - Medium Intensity Obstruction Lighting type A/C Double
- 20 - Medium Intensity Obstruction Lighting type B Double (Twin)
- 21 - Medium Intensity Obstruction Lighting type C Double (Twin)

Power Supply

- 230 = Power supply: 100 - 230V AC
- 048 = Power supply: 48V DC
- 024 = Power supply: 24V DC
- 012 = Power supply: 12V DC

**Electrical Connections**



**Stand alone fixture:**

- Power supply:
  - 230V AC power supply - 3 core cable
  - 12V DC power supply - 2 core cable
  - 24V DC power supply - 2 core cable
  - 48V DC power supply - 2 core cable
- A second cable for alarm and redundancy

**Power supply from controller:**

- 6 core cable

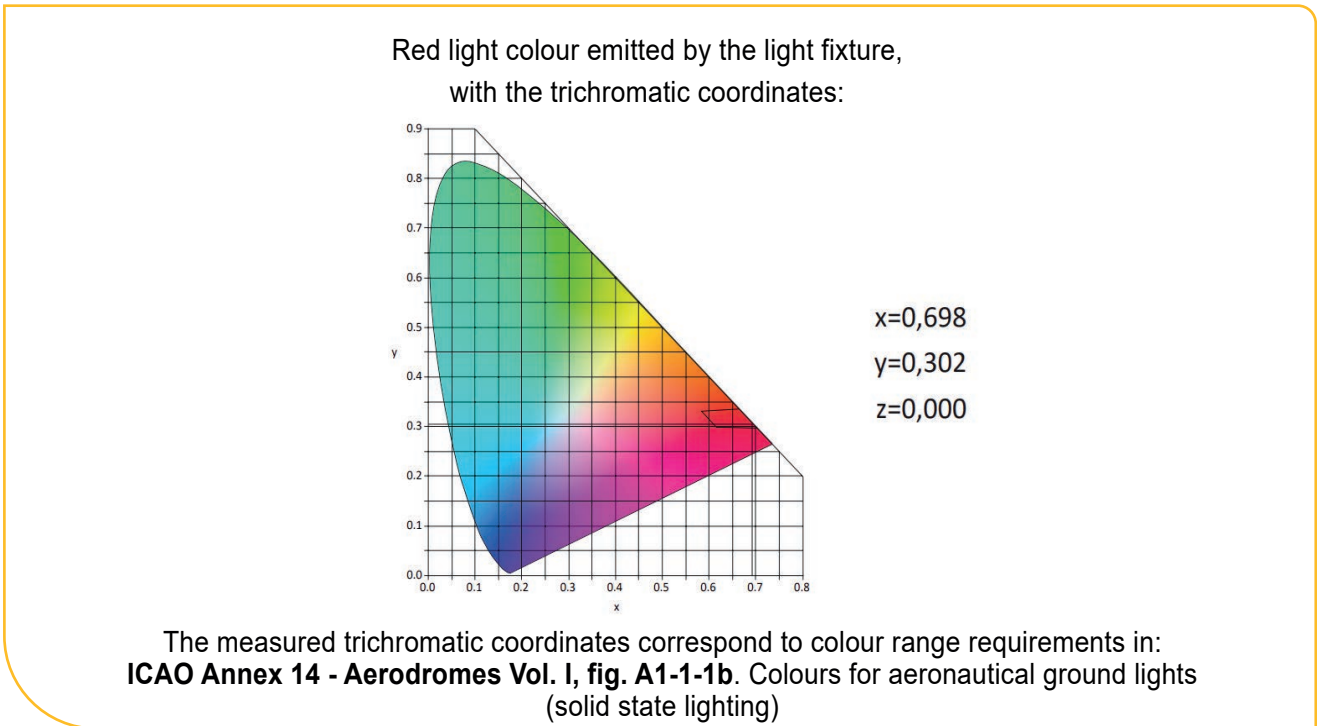
**AES-OBS-20 | Medium Intensity Obstruction Light TYPE B DOUBLE**

**Photometry**

AES - Medium Intensity Light Intensity

Tested Product	Light intensity (cd)			Light intensity (cd) Vertical elevation -1°		Vertical beam spread		Frequency	
	Prescribed	Measure		Prescribed	Measured	Prescribed	Measured	Prescribed	Measured
		max	min						
Type B	2000 ± 25%	2478	1665	min 50% (1000cd) max 75% (1500cd)	1163	min 3°	3,11°	20-60 fpm	50

The brightness intensity values complies with ICAO requirements Annex 14 Vol. I Table 6.3





AES - Medium Intensity Obstruction Lighting Type B Double

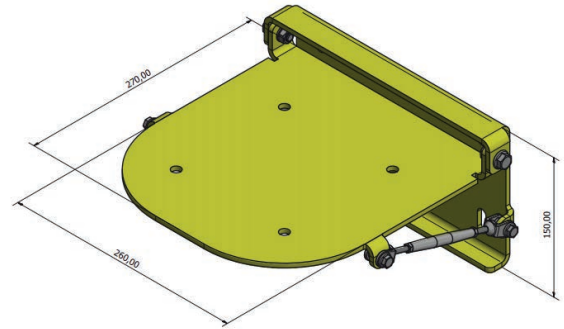
	Type B
CODE	AES-OBS-21-XXX
LIGHT COLOR	RED
SIGNAL TYPE	FIXED - STEADY
PEAK INTENSITY	2000cd ±25%
TWILIGHT SENSOR	Yes

**AES-OBS-20 | Medium Intensity Obstruction Light TYPE B DOUBLE**

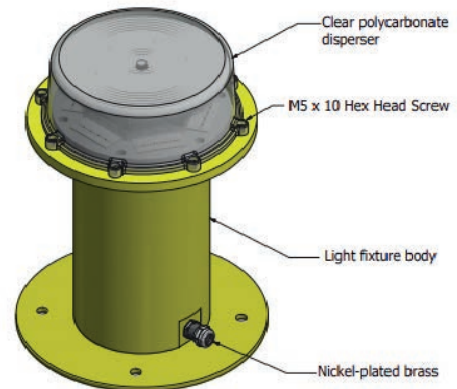
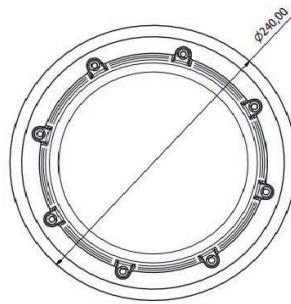
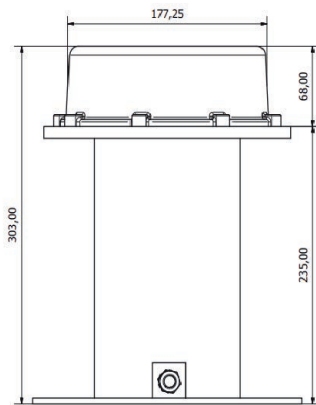
**Accessories**

Wall or pipe fastening system - powder-coated aluminium:

RAL 1004	Aviation yellow	
RAL 9006	Grey	



**Dimensions**



**Weight and Dimensions**

• <b>Max. Diameter</b>	240mm
• <b>Total height</b>	303mm
• <b>Max. Weight</b>	6.4 kg