

**AES-OBS-14** | Medium Intensity Obstruction Light TYPE C



### COMPLIANCE:

- ICAO Annex 14, Vol I
- FAA AC 150/5345-43 L-864
- EASA CS-ADR-DSN

BOARDING TIME

#### BOARDING PASS

GATE CLOSING 30 MINUTES BEFORE DEPARTURE

GAES 454843121451100

GOMINTEC BOARDING PASS

NAME OF PASSANGER

FROM:

TO:

DATE                      FLIGHT  
                                 GAES2020

GATE                      SEAT  
23                          21B

GOMINTEC

**Uses**

Marking of aerial obstacles, such as: towers, buildings, antennas, for airports CAT I, II y III, compliance to ICAO Fig A1-1-1B.

**Features**

- Designed and built with simplicity and ease of maintenance in mind.
- High power LED technology
- Lightweight, low-energy and environment friendly lighting fitting.
- Extensive use of aluminium alloys reduces fitting weight and eases handling in the field.
- Housing made with powder-coated aluminium, RAL 1004, aviation yellow color. Clear polycarbonate disperser.
- Light fixtures are provided with anti condensation valve.
- Stainless steel fasteners and nickel-plated brass cable gland.

**Specifications**

- Index Protection: IP 67
- Temperature range: -55° to +55°C

	Type C
Max. power	35W
Max. power consumption	35Wh
Power supply	100 - 230V AC 48V DC; 24V DC; 12V DC

**AES-OBS-14** | **Medium Intensity Obstruction Light TYPE C**

**Order Code**

AES - OBS - 14 - XXX

Type — AES = Series Indicator (Airfield Lighting)

Category — Obstruction lighting

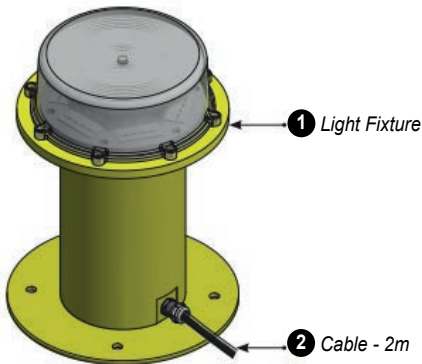
Product Indicator —

- 12 - Medium Intensity Obstruction Lighting type A Single
- 13 - Medium Intensity Obstruction Lighting type B Single
- 14 - Medium Intensity Obstruction Lighting type C Single
- 15 - Medium Intensity Obstruction Lighting type A/C Double
- 20 - Medium Intensity Obstruction Lighting type B Double (Twin)
- 21 - Medium Intensity Obstruction Lighting type C Double (Twin)

Power Supply —

- 230 = Power supply: 100 - 230V AC
- 048 = Power supply: 48V DC
- 024 = Power supply: 24V DC
- 012 = Power supply: 12V DC

**Electrical Connections**



**Types of power supply:**

- Medium intensity obstruction light - Simple:
  - 230V AC power supply - 3 core cable
  - 12V DC power supply - 2 core cable
  - 24V DC power supply - 2 core cable
  - 48V DC power supply - 2 core cable

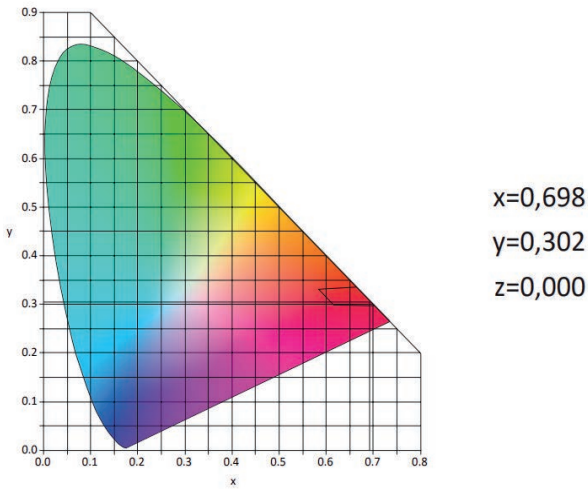
**AES-OBS-14** | Medium Intensity Obstruction Light TYPE C

**Photometry**

Tested Product	Light intensity (cd)			Light intensity (cd) Vertical elevation -1°		Vertical beam spread		Frequency	
	Prescribed	Measure		Prescribed	Measured	Prescribed	Measured	Prescribed	Measured
		max	min						
Type C	2000 ± 25%	2438	1670	min 50% (1000cd) max 75% (1500cd)	1189	min 3°	3,18°	-	-

The brightness intensity values complies with ICAO requirements Annex 14 Vol. I Table 6.3

Red light colour emitted by the light fixture,  
with the trichromatic coordinates:

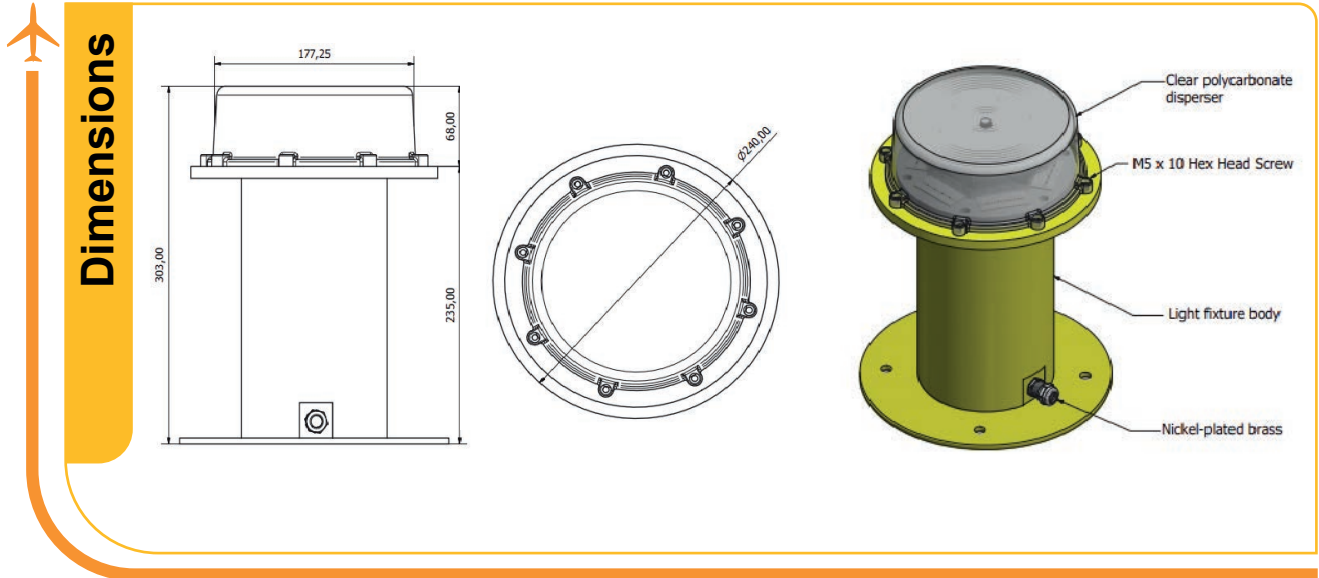


The measured trichromatic coordinates correspond to colour range requirements in: **ICAO Annex 14 - Aerodromes Vol. I, fig. A1-1-1b**. Colours for aeronautical ground lights (solid state lighting)

**AES - Medium Intensity Obstruction Lighting Configuration**

	Type C
CODE	AES-OBS-14-XXX
LIGHT COLOR	RED
SIGNAL TYPE	FIXED
VERTICAL BEA, SPREAD	3°
PEAK INTENSITY	2000cd ±25%
LEDs NUMBER	24
TWILIGHT SENSOR	Yes

**AES-OBS-14** | Medium Intensity Obstruction Light TYPE C



<b>Weight and Dimensions</b>	
• <i>Max. Diameter</i>	240mm
• <i>Total height</i>	303mm
• <i>Max. Weight</i>	6.4 kg