

AES-OBS-05 | Low Intensity Obstruction Light TYPE A



COMPLIANCE:

- ICAO Annex 14, Vol I
- FAA AC 150/5345-43 L-810
- EASA CS-ADR-DNS



BOARDING TIME

BOARDING PASS

NAME OF PASSANGER

FROM:

TO:

DATE

GATE

SEAT

FLIGHT
GAES2020

23 21B

GATE CLOSSES 30 MINUTES BEFORE DEPARTURE

GAES 454843121451100

BOARDING PASS

GOMINTEC

✈ Uses

Obstruction light. Can be used successfully in various applications in different fields

✈ Features

- Designed and built with simplicity and ease of maintenance in mind.
- It is used to mark air obstacles such as towers, buildings, antennas.
- High power LED technology in 100.000 hours estimated lifetime.
- Lightweight, low-energy and environment friendly lighting fitting.
- Extensive use of aluminium alloys reduces fittings weight and eases handling in the field.
- Stainless steel fasteners.
- Light fixtures are provided with anti condensation valve.

✈ Technical Specifications

HOUSING MATERIAL	Powder-coated aluminium
LIGHT DIFFUSER	Clear polycarbonate
CASING COLOR	Standard: AVIATION YELLOW (RAL 1004)
POWER SUPPLY	Standard: 110-230 V AC 12V, 24V or 48V DC
LIGHT INTENSITY	> 10cd
LIGHT COLOR	Red
POWER CONSUMPTION	1.5W
NUMBER OF LEDs	1

AES-OBS-05 | Low Intensity Obstruction Light TYPE A

Order Code

AES - OBS - 05 - XXX

Series Indicator

Airfield Lighting

Category

Obstruction Lighting

Product Indicator

05 = Low Intensity Obstruction Lighting type A Single
 06 = Low Intensity Obstruction Lighting type A Double
 07 = Low Intensity Obstruction Lighting type B Single
 16 = Low Intensity Obstruction Lighting type B Double

LEDs Light color

230 = Power supply: 100-230 V AC 012 = Power Supply 12 V DC
 048 = Power Supply 48 V DC 700 = Power Supply: constant current
 024 = Power Supply 24 V DC 700 mA from a controller

Operating environment

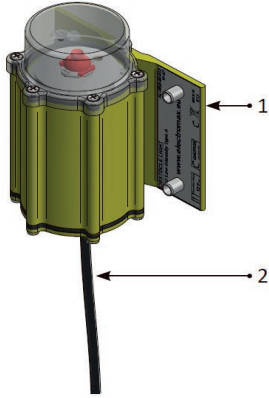
- Rated operating temperature from -55°C up to +55°C.
- The ingress protection rating is IP67.
- The impact protection rating is IK10.

Electrical Characteristics

- Power supply 110-230V AC
- 12V DC, 24V DC sau 48V DC.
- Power consumption: 1,5W

AES-OBS-05 | Low Intensity Obstruction Light TYPE A

Electrical Connections

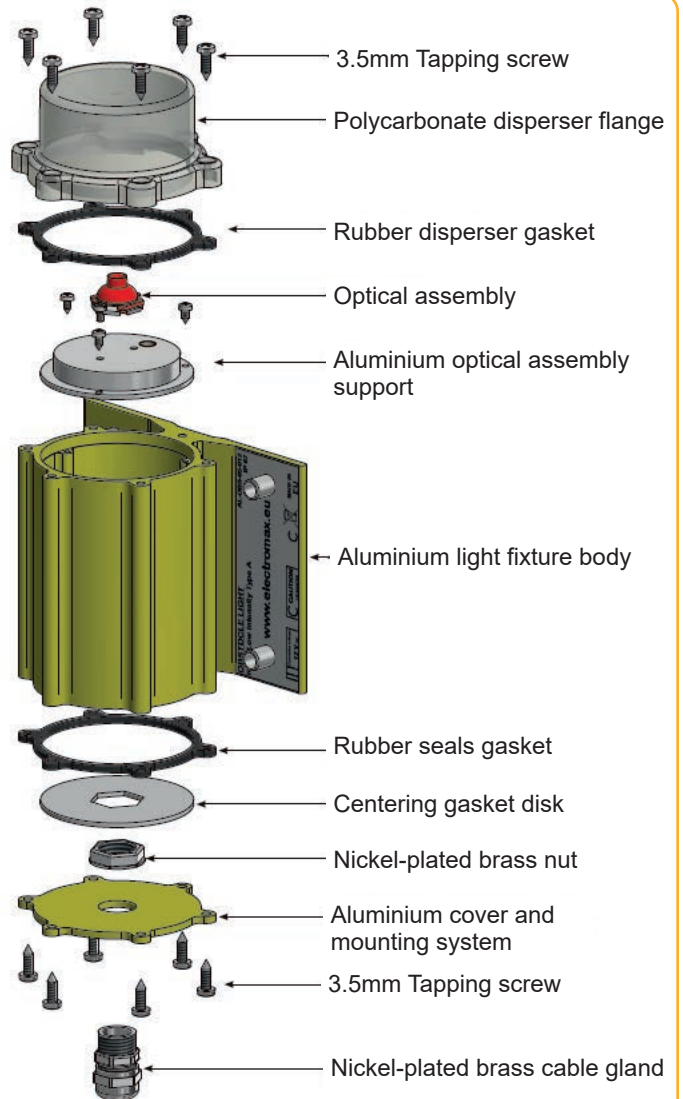
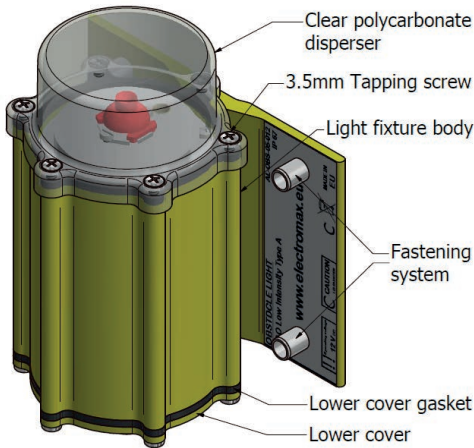


1. Light Fixture
2. Cable - 2m

Types of power supply:

- Low intensity obstruction light:
 - 230V AC power supply - 3 core cable
 - 12V DC, 24V DC, 48V DC power supply - 2 core cable
 - 700mA power supply - 2 core cable

Structure

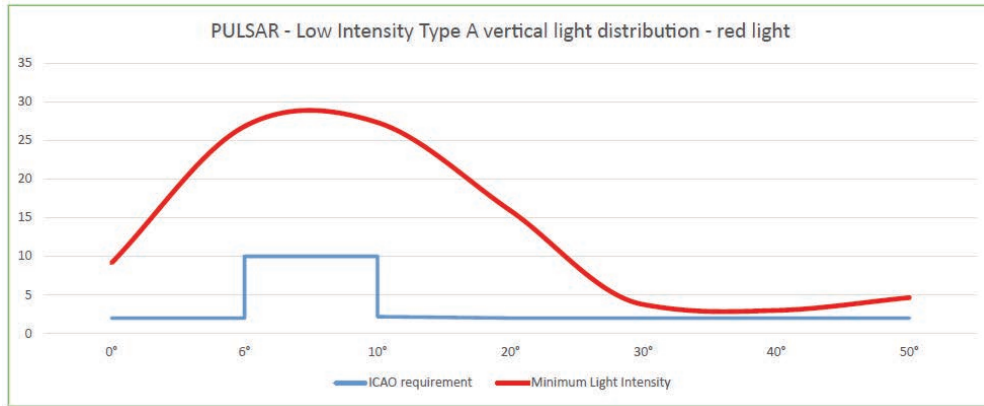


AES-OBS-05 | Low Intensity Obstruction Light TYPE A

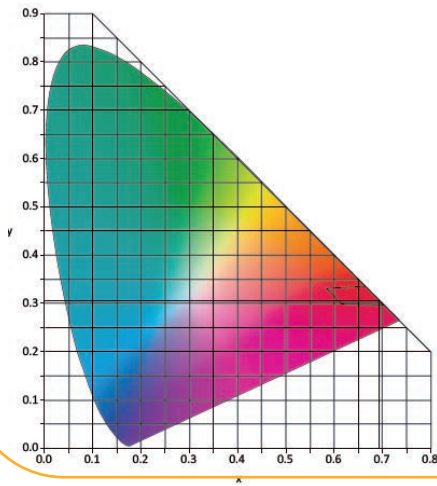
Photometric Characteristics

Vertical elevation angle	0°	6°	10°	20°	30°	40°	50°
Required minimum intensity (cd)	Visible enough	>10	>10	Visible enough	Visible enough	Visible enough	Visible enough
Measured minimum intensity (cd)	9.14	26.8	27.3	15.9	3.76	3.00	4.65

The brightness intensity values complies with: ICAO requirements Annex 14 Vol. I Table 6.3



The light colour emitted by the light fixture is red, with the trichromatic coordinates:



x=0,698
y=0,302
z=0,000

The measured trichromatic coordinates correspond to colour range requirements in:
ICAO Annex 14 - Aerodromes Vol. I, fig. A1-1-1b
Colours for aeronautical ground lights (solid state lighting)

Weight and Dimensions

Length - Width	130mm / 93mm
Total height	160 mm
Weight	1.3 kg

