

HESPER | LED multipurpose Floodlight - Luminia



COMPLIANCE:

- UNE-EN 60598-1
- UNE-EN 60598-2-5
- UNE-EN 62031
- UNE-EN 62471
- UNE-EN 62493
- UNE-EN 61347-2
- UNE-EN 62384
- UNE-EN 55015
- UNE-EN 61000-3-2
- UNE-EN 61000-3-3
- UNE-EN 61547
- ROHS

BOARDING PASS

NAME OF PASSANGER

FROM:

TO:

DATE FLIGHT
 GAES2020

GATE SEAT
23 21B

GATE CLOSES 30 MINUTES BEFORE DEPARTURE

GOMINTEC
BOARDING PASS
GOMINTEC

Uses

HESPER Series it is a purpose floodlight line with a modern design and soft shapes, suitable for stadiums lighting, pavilions, parking zone and areas in general.

Features

- 3 sizes available, with numerous photometric distributions, equipped with high efficiency LEDs.
- Made with high pressure die-cast aluminum and epoxy paint finishing electrostatically deposited and oven-cured, providing a durable and resistant anti-corrosion.
- The closure of the equipment is made of high transmittance tempered glass and the opening system is designed for quick access without tools and easy installation and maintenance.
- The glass closure provides an additional protection to the PMMA lenses of the optical assembly, protecting them direct UV radiation and inclement weather.

PRESSURE RELIEF VALVE



The optical assembly is equipped with a vent valve that prevents the accumulation of water vapor and condensation from changes in temperature during cycles on and off. Its high protection degrees against impacts, IK08, allows its installation in any outdoor application.

FIXING AND ORIENTATION



The equipment has a fixing fork made in hot-galvanized steel and painted at the oven, that allows rotating the projector up to 180°.

The cover has a printed integrated in the projector body with indications every 10°, to ensure a confiable and easy orientation.

HESPER | LED purpose Floodlight - Luminia

Specifications

- Power: 100-277 Vac; 50-60 Hz
- Lifespan: > 100.000h (L80B10; T° = 25°C)
- Surge protection: 10kV
- IP66 / IK08
- Working temperature: -40°C ± 45°C
- High pressure die-cast aluminum body, tempered flat glass closure. Stainless steel screws.
- Electrical class I
- DRIVER. Others available: DALI, 1-10V, PWM, CLO, NTC



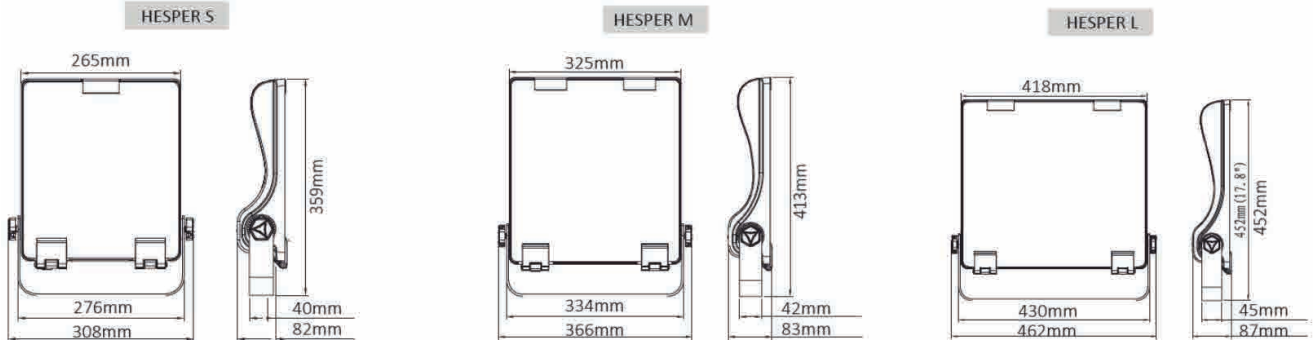
Technical Information

| Parameter | Hesper S-40 | Hesper S-60 | Hesper S-80 | Hesper M-100 | Hesper M-120 | Hesper M-150 | Hesper L-180 | Hesper L-200 | Hesper L-240 |
|------------------------------|-----------------------------------|-------------|-------------|--------------|--------------|--------------|--------------|--------------|--------------|
| Power | 40W | 60W | 80W | 100W | 120W | 150W | 180W | 200W | 240W |
| Color Temperature | 4000°K / 5000°K (3000°K optional) | | | | | | | | |
| Luminous flux | 5.900 lm | 9.200 lm | 11.500 lm | 14.400 lm | 17.200 lm | 21.800 lm | 26.100 lm | 29.100 lm | 35.200 lm |
| Power factor | > 0,95 | | | | | | | | |
| Colour Rendering Index (CRI) | > Ra 70, Ra 80 | | | | | | | | |
| Grade IP | IP 66 | | | | | | | | |
| Equivalence in HID | 150W | 150W | 250W | 250W | 250W | 400W | 400W | 400W | 600W |

(*) Nominal power. Can be adjusted to intermediate values by regulating the lout of the driver.

HESPER | LED purpose Floodlight - Luminia

 **Dimensions**



Photometry

